

Geeetech A30 Pro 3D Printer

User Manual (V1.00)



Content

1 Attentions.....	4
1.1 Safety Instructions.....	4
1.2 Factory Test before Delivery.....	4
2 Printing Parameters.....	5
3 Packing list.....	6
4 Printer Display.....	7
5 Assembling.....	8
5.1 Main Frame Assembling.....	8
5.2 Wire connection.....	9
5.3 Check the power input mode.....	12
5.4 Load the filament.....	13
6 First print.....	15
6.1 Leveling hot bed.....	15
6.2 TF card printing.....	17
7 Introduction of touch screen menu.....	19
7.1 Tree diagram.....	19
7.2 Main Functions.....	19
8 Software setting.....	30
8.1 Install USB drivers.....	30
8.2 Install slicing software.....	32
8.3 USB printing.....	41
8.4 TF card printing.....	45
9 Function introduction.....	48
9.1 Power -resuming capability.....	48
9.2 Filament run-out sensor (optical).....	48
9.3 3D Touch for auto bed leveling (Optical).....	51
10 FAQ(Frequently Asked Questions).....	51
10.1 Abnormal extrusion.....	51
10.2 The gear of the extruder skips and makes an abnormal noise.....	51
10.3 First layer abnormal.....	51
10.4 Layer shift.....	51
10.5 Print stopped.....	52
11Declaration.....	52
11.1 Terms.....	52
11.2 Disclaimers.....	52

Thank you for choosing Geeetech products!



[Important] Please read the instruction manual carefully before using this machine.



Official site: <https://www.geeetech.com/>



Email us for technical support: https://www.geeetech.com/contact_us.htm



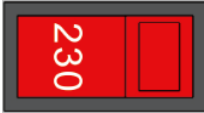
Facebook Group:



1Attentions

1.1Safety Instructions

- 1) Please switch to the correct local voltage (115V-230V) before turning on the printer. Be sure the switch is in the correct position or it will damage the power supply unit (PSU).



- 2) Be sure all wires are correctly connected before turning on the printer.
- 3) Don't touch extruder head or hot bed when printing as they generate high temperature which may cause burn.
- 4) Don't leave the printer unattended when printing.

1.2Factory Test before Delivery

To ensure quality, each printer is tested at the factory. As a result, there may be filament residue in the extruder head or on the hot bed, but it should not affect normal use. We provide the spare nozzle in the accessory kit just in case.

2 Printing Parameters

1) Printing Parameters

Printing technology: FDM

Printing volume: 320*320*420mm³

Printing accuracy: 0.1~0.2mm

Position precision: X/Y: 0.011mm Z: 0.0025mm

Printing speed: 60mm/s

Nozzle quantity: 1-in-1-out single nozzle

Nozzle diameter: 0.4mm

Filament: diameter 1.75mm; ABS/ PLA, etc.

Environment temperature: 10°C-40°C

Operating system: Windows/Mac/Linux

Slicing software: Repetier-Host, EasyPrint 3D, Cura

File format: .gcode

2) Electrical Parameter

Power input: 115/230VAC 50/60Hz

Power output: DC24V/21A Max,500W

Connectivity: TF card, USB

Touch screen: 3.2 -Inch Full-color Touch Screen

3) Mechanical Parameter

Printer size: 508x545x657 mm³

Package size: 670x560x320 mm³

Net weight: 13.5kg

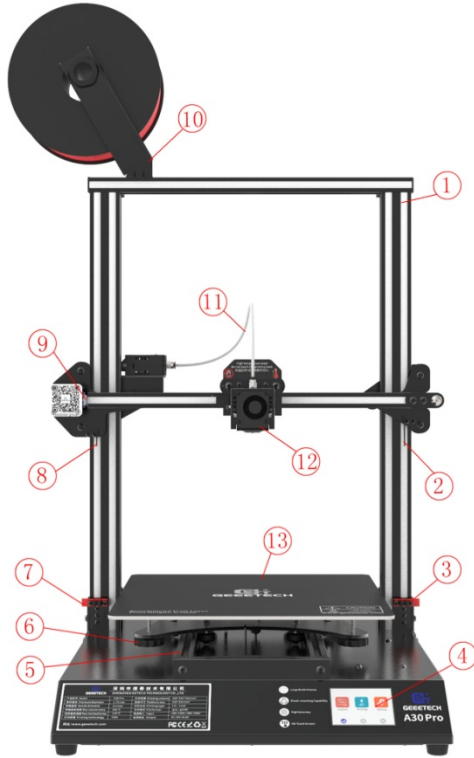
Gross weight: 20.2kg

3 Packing list

Please check the parts/accessories when you receive the printer (As shown below). If any spare parts are missing, please contact your sales representative.

		
Gantry kit	Bottom kit	T-shaped plate component (2 sets)
		
Spool holder component	Gantry and base installing screws	Power cord
		
TF Card	Tool kit	USB cable
		
Nozzles *2	Filament	Mouse pad
		
Teflon tube & Zip ties	User guide	

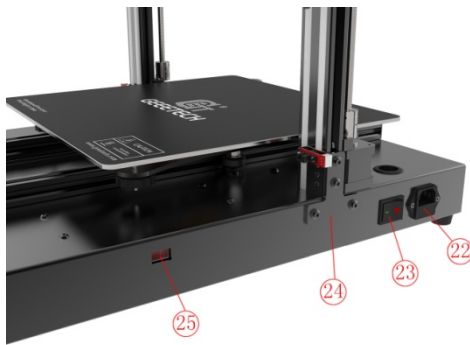
4 Printer Display



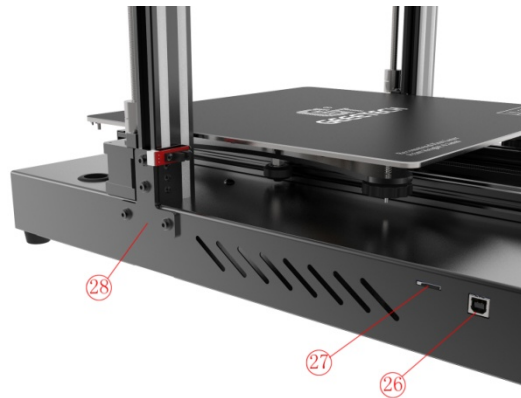
(Picture 4-1)



(Picture 4-2)



(Picture 4-3)








(Picture 4-4)

①Gantry frame; ②Right limit switch plate; ③Right photoelectric limit switch; ④Touch screen;
 ⑤Y axis; ⑥Hot bed height adjusting nuts; ⑦Left photoelectric limit switch; ⑧Left limit switch
 plate; ⑨X axis limit switch; ⑩Spool holder; ⑪Teflon feeding tube(Bowden tube); ⑫Extruder
 head; ⑬Hot bed; ⑭Z axis top assembly; ⑮X axis motor; ⑯Z axis motor Z0; ⑰Y axis limit
 switch; ⑱Z axis motor Z1; ⑲lead screw nut ⑳Extruder E0; ㉑Extruder socket; ㉒Power
 socket; ㉓Power switch; ㉔Right T-shaped plate; ㉕Power voltage selector switch; ㉖USB port; ㉗
 TF card slot; ㉘Left T-shaped plate

5 Assembling

5.1 Main Frame Assembling

Main frame consists of gantry kit and base, T- shaped plate, spool holder and screws.

		
Gantry kit	Bottom kit	T-shaped plate component (2 sets)
		
Spool holder component	Gantry and base installing screws	

- 1) Assemble the gantry frame and base from bottom with 4 M5x30 screws and 4 spring washersM5 as shown in picture (5-1).



(Picture 5-1)

- 2) Fix the gantry frame and base with T-shaped plates. See picture (5-2, 5-3).

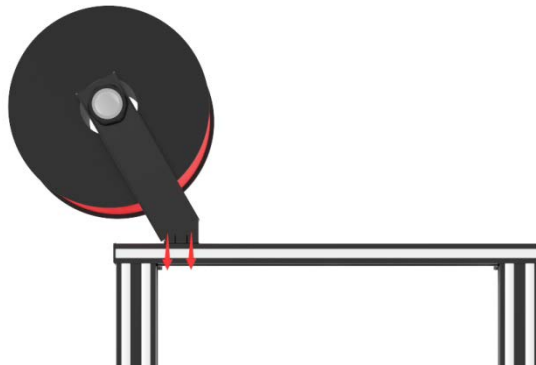


(Picture 5-2)



(Picture 5-3)

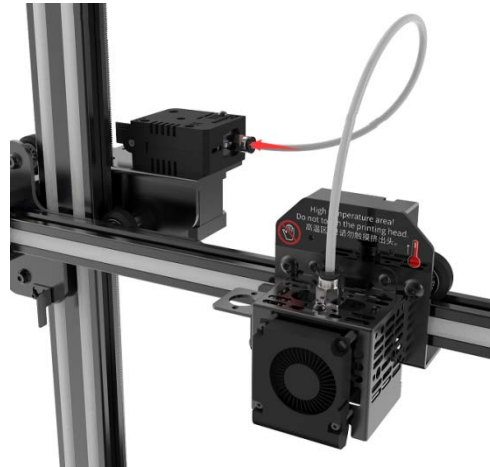
- 3) Assemble filament spool holder and attach to the top of the frame, with 2pcs M3x6 screws and 2 T- nuts M3, as shown picture (5-4).



(Picture 5-4)

5.2 Wire connection

- 1) Insert Teflon tube into the quick-insert connector of the two extruders as shown in picture (5-5).



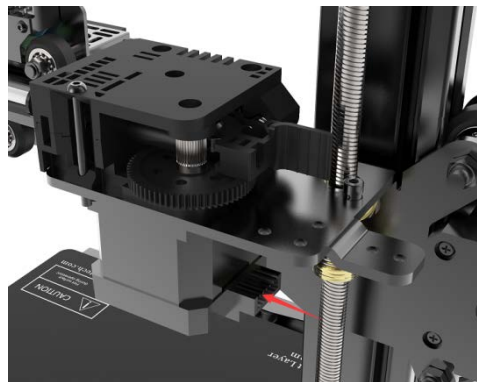
(Picture 5-5)

- 2) Plug extruder wire into molex socket. Be sure plug is firmly seated into socket. See picture (5-6).



(Picture 5-6)

- 3) Connect extruder motor wires of E0. See picture (5-7).



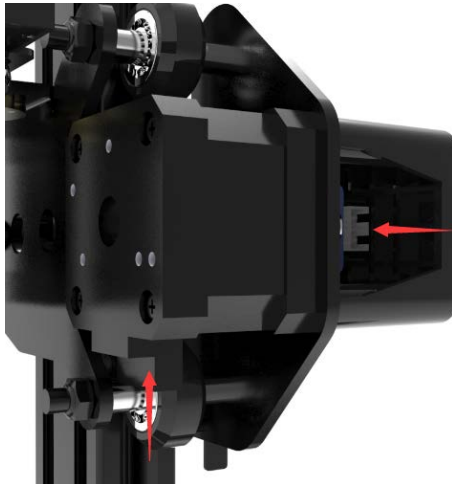
(Picture 5-7)

Then the extruder wire and the motor extruder wire are fixed into the small hole on the backside of the screw with the Cable tie to avoid the wire harness touching the model during printing. In addition, the position the harness fixed needs to reserve the length of the Z-axis at the maximum height. See picture (5-8).



(5-8)

4) Connect the wires of X axis motor and limit switch. See picture (5-9).



(Picture 5-9)

5) Connect the wires of Y axis limit switch. See picture (5-10).



(Picture 5-10)

6) Connect the Z0 axis motor and the Z0 axis limit switch wire. See picture (5-11).



(Picture 5-11)

- 7) Connect the Z1 axis motor and the Z1 axis limit switch wire. See picture (5-12).

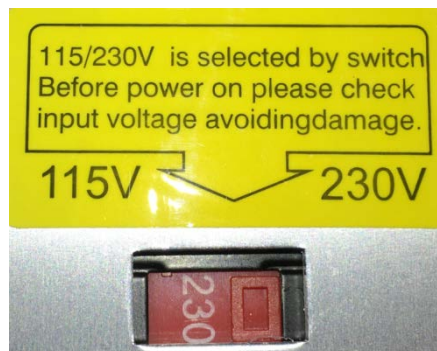


(Picture 5-12)

5.3 Check the power input mode

The factory default voltage is 230V, please choose the correct voltage according to your local voltage standard. See picture (5-13).

Note: Be sure the switch is set for the correct voltage.



(Picture 5-13)

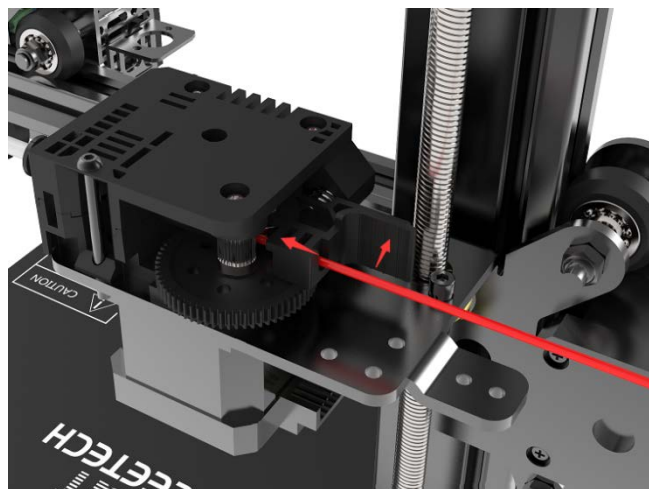
5.4 Load the filament

Put filament on spool holder, please pay attention to the feeding direction of the filament. See picture (5-14).



(Picture 5-14)

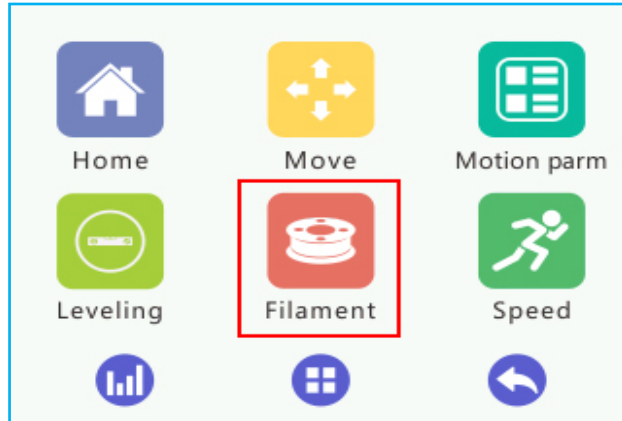
Filament is bent, therefore it needs to be straightened by your hands and trimmed to make it easier to insert filament into feeder. Press down the lever handle of the extruder and insert the filament into the feeding tube until it reaches extruder head. As shown by the arrow in (5-15).



(Picture 5-15)

Please set the target temperature of nozzle about 190-210°C when printing PLA. Control the extruder feeding on touch screen after the nozzle temperature is stable. See picture

(5-16),(5-17).The extruder will feed automatically until the nozzle material is flowing.

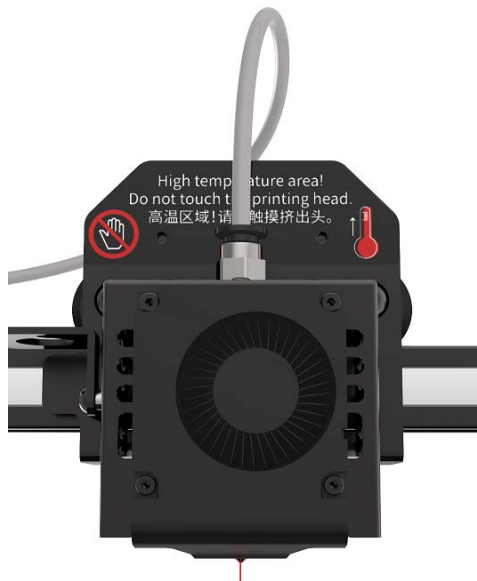


(Picture 5-16)



(Picture 5-17)

Please observe the nozzle , to be sure there is no filament stuck, and that filament is coming out smoothly. Then stop filament feeding and clear the nozzle with tweezers. See picture (5-18).



(Picture 5-18)

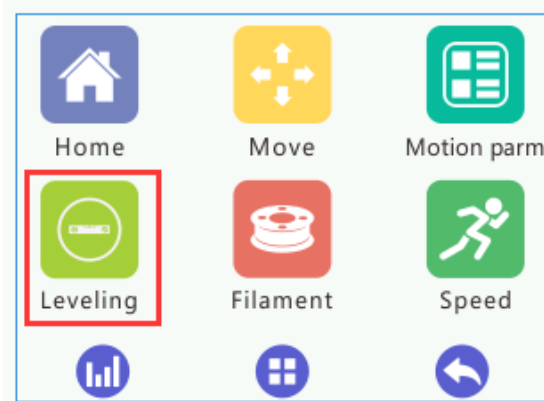
6 First print

6.1 Leveling hot bed

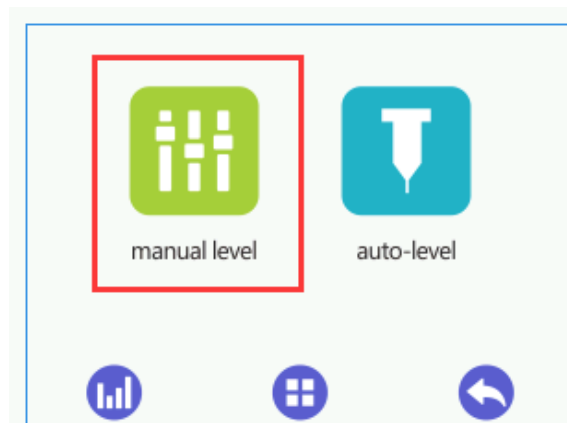
The first layer is the key to a successfully printed model, which would directly affect the quality of printing model and achieve a good bed adhesion. In order to avoid scratching nozzle and hot bed, the factory default setting is a little high. Users need to level the hot bed and set the distance between the nozzle and hot bed before printing. After the first-time bed leveling, users don't need to level the bed again. Details as follows:

1) Rough leveling

Please click the "Home" to enter "Leveling" interface on the touch screen. See picture (6-1). If you click "manual level", it shows "manual level" interface shown as picture (6-2).



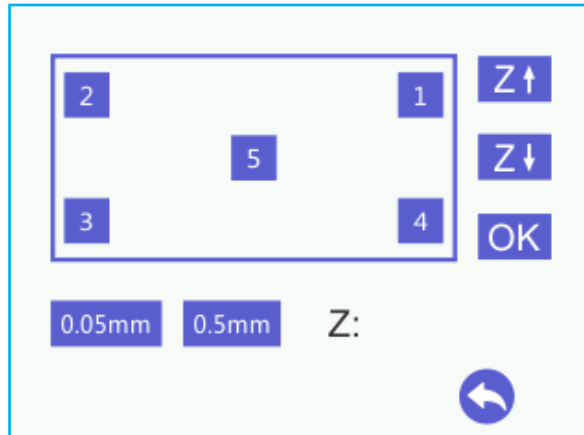
(Picture 6-1)



(Picture 6-2)

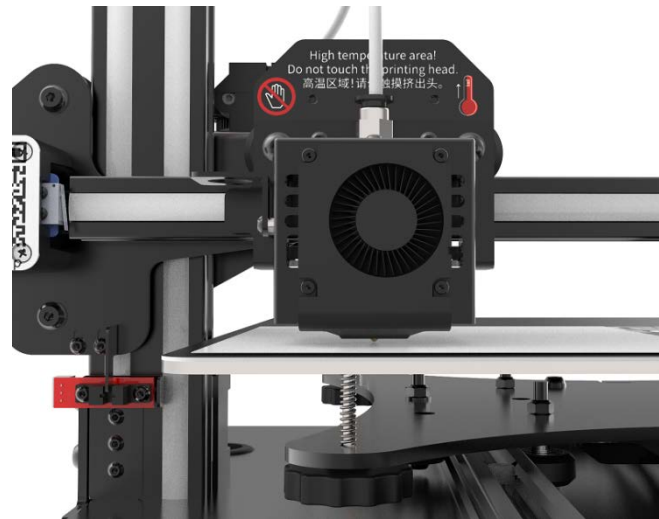
Put a piece of leveling paper or A4 paper between hot bed and nozzle, Click the middle "5" button, and select the appropriate precision (**0.05mm/0.5mm**) in the lower left corner to adjust the height deviation value in the Z-axis direction until the distance between the platform and the nozzle is about one sheet of paper. The thickness can be about 0.1~0.2mm, Slide the paper back and forth to see if you feel a slight resistance. If yes, it means that extruder head is in the right place. See picture (6-3). After adjusting the height at position "5", click "OK" to save current

value.



(Picture 6-3)

Please click the button in order from 1-4, At each corner, use the adjusting nuts under the bed to set the distance between nozzle and hot bed to about the thickness of a piece of paper. Now rough leveling is finished. See picture (6-4).

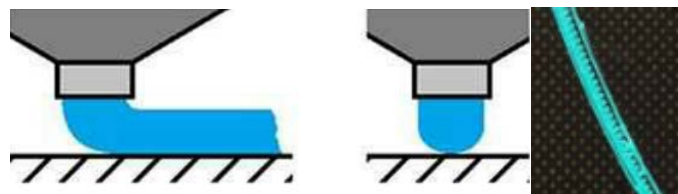


(Picture 6-4)

1) Accurate leveling

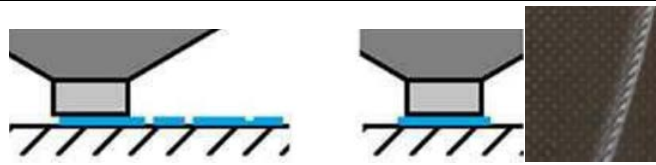
If you level hot bed with A4 paper, the first layer might be too high, too low or moderate.

a. Too high: If the distance between nozzle and hot bed is too far, filament will not stick to the bed well. See picture (6-5).



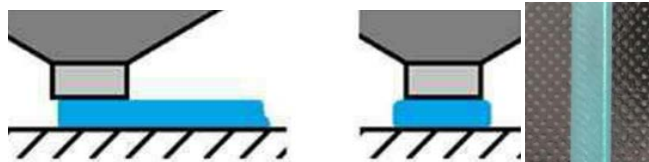
(Picture 6-5)

b. Too low: If the distance between nozzle and hot bed is too close, it prevents filament from coming out, causes the extruder gear to click or grind on filament and even worse, it would scratch nozzle and hot bed. See picture (6-6).



(Picture 6-6)

c. Moderate: Extrude filament properly and evenly. Stick to the hot bed. See picture (6-7).



(Picture 6-7)

In case of too high and too low, please adjust knobs under the hotbed slightly until you achieve proper height. It may take some trial and error to achieve the best result. An example of good first layer, see picture (6-8).



(Picture 6-8)

Note:

- 1) Be sure to adjust the height at center point (position5) on the touch screen, after clicking "OK" to save its data, you can use then knobs to adjust the hot bed at the 4 corners.
- 2) When viewed from the above, turning the knobs clockwise, the hot bed will rise, and vice versa.
- 3) Avoid the nozzle touching the bed; use a piece of A4 paper. Or it will scratch the bed.

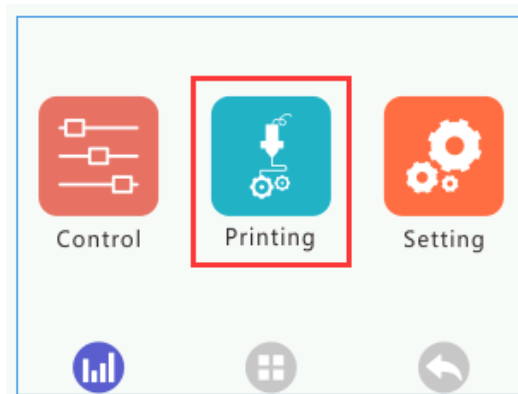
6.2TF card printing

Insert TF card into the slot. See picture (6-9).



(Picture 6-9)

Click **“Printing”** on touch screen to enter Print model menu. See picture (6-10).



(Picture 6-10)

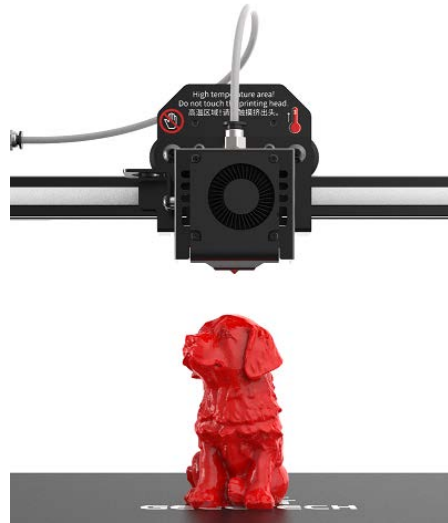
Click on the in-built.Gco file in the TF card, Click the **“Print”** button. See picture (6-11), the machine will automatically start printing, as shown in picture (6-12) and picture (6-13).



(Picture 6-11)



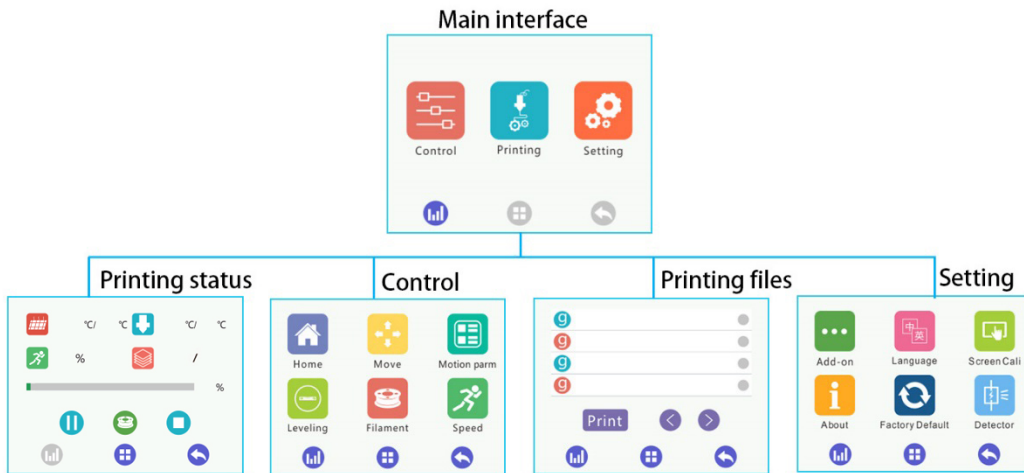
(Picture 6-12)



(Picture 6-13)

7 Introduction of touch screen menu

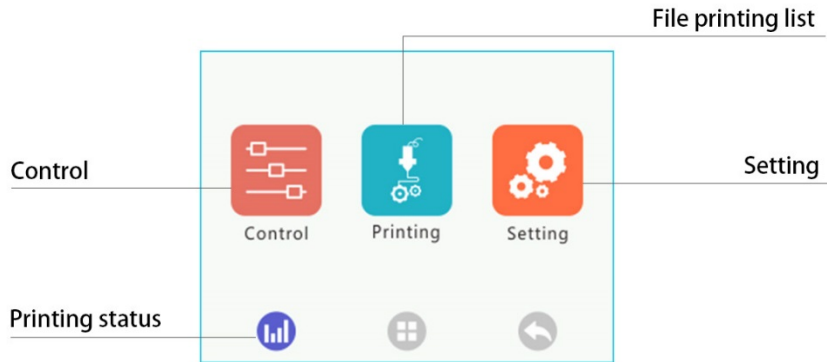
7.1 Tree diagram



(Picture 7-1)

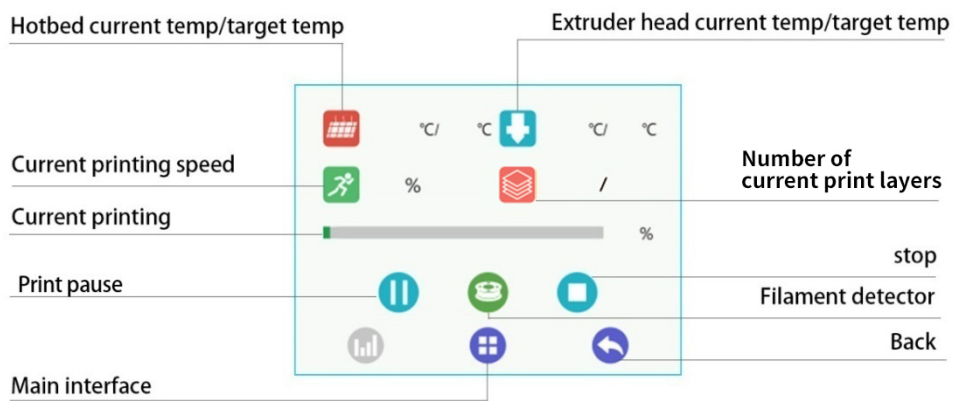
7.2 Main Functions

7.2.1 Main interface:



(Picture 7-2)

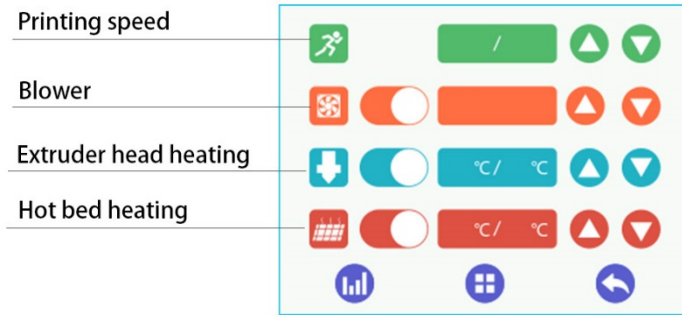
7.2.2 Print status Interface:



(Picture 7-3)

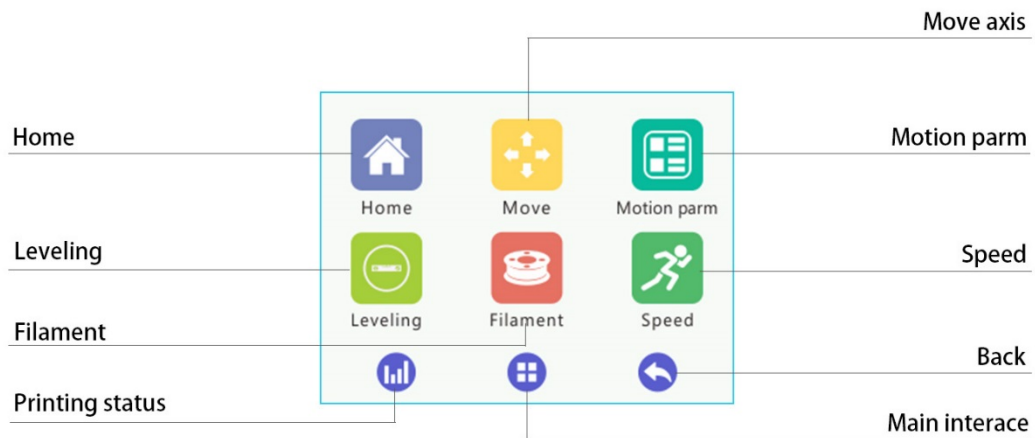
One submenu

- 1) Click the hot bed temperature/extruder head temperature/speed to enter the interface of temperature and speed. See picture (7-4).



(Picture 7-4)

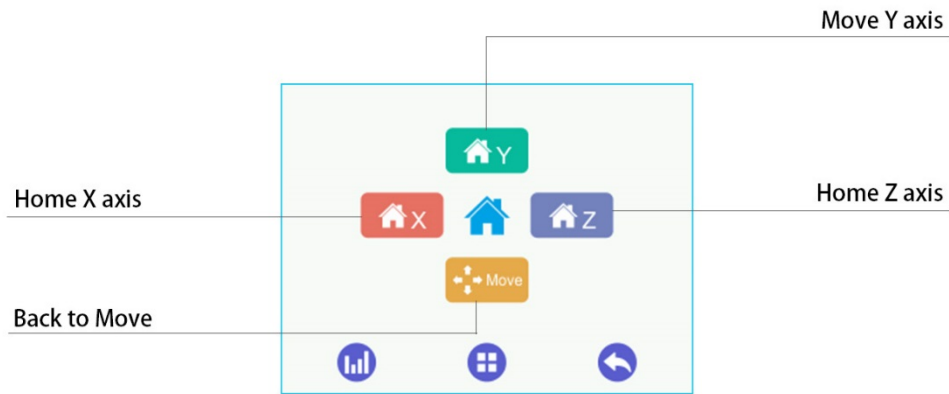
7.2.3 Main functions of control menu:



(Picture 7-5)

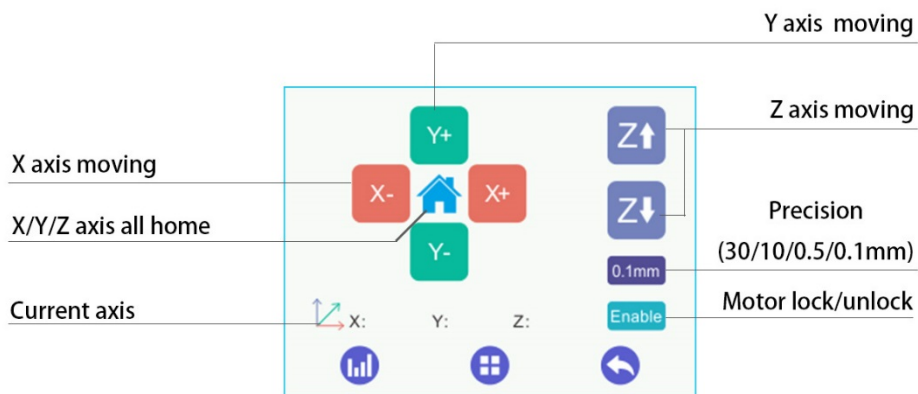
Six submenus at Control menu homepage

- 1) Click **“Home”** to its interface, see picture (7-6).



(Picture 7-6)

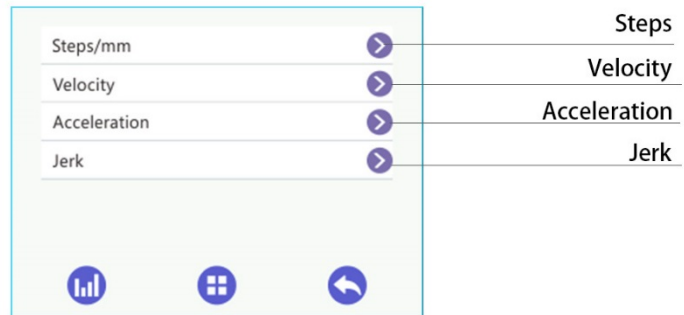
2) Click **“Move”** to its interface, see picture (7-7).



(Picture 7-7)

Please choose its precision firstly before moving axes. There are **“30/10/1/0.5/0.1mm”** available. And control every axis moving. Moreover, when the lower right-hand corner motor status is in the **“Enable”** state, motor is locked. When **“Disable”** releases, motor is unlocked, you can move every axis by hand.

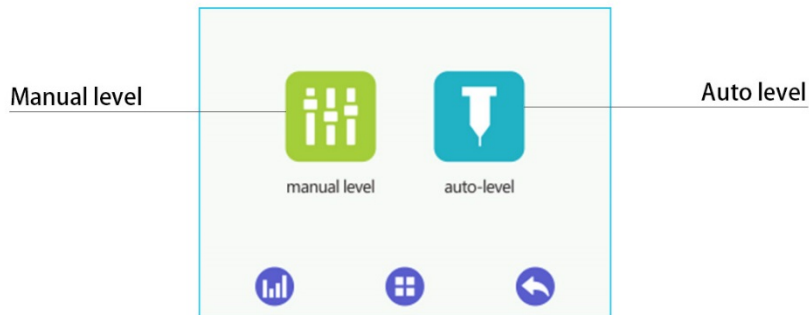
3) Click **“Motion Parameter”**, it will enter motion parameter interface. See picture (7-8).



(Picture 7-8)

This page only displays every motion parameter, if no special condition, it doesn't to modify.

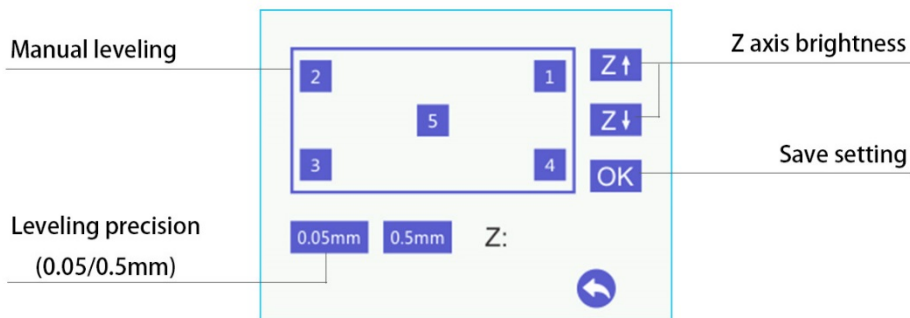
- 4) Click "**Leveling**" to its interface.(7-9).



(Picture 7-9)

Two submenus at leveling interface

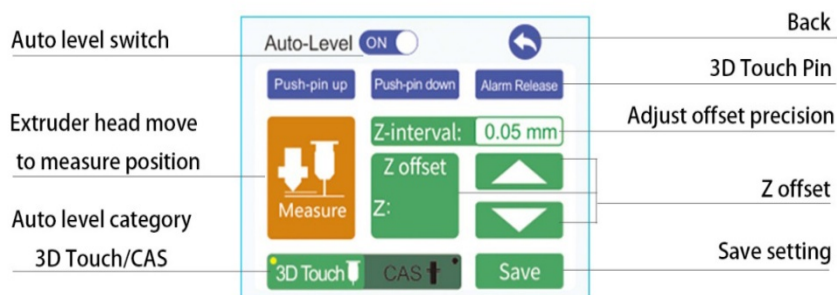
- a. Click "**manual level**" to its interface. See picture (7-10).



(Picture 7-10)

Please choose its precision firstly before manual leveling. You can choose “**0.05/0.5mm**”. Then adjust z axis height according to the actual situation. And click “**Ok**” to save its settings.

B. Click “**auto level**” to its interface. See picture (7-11).

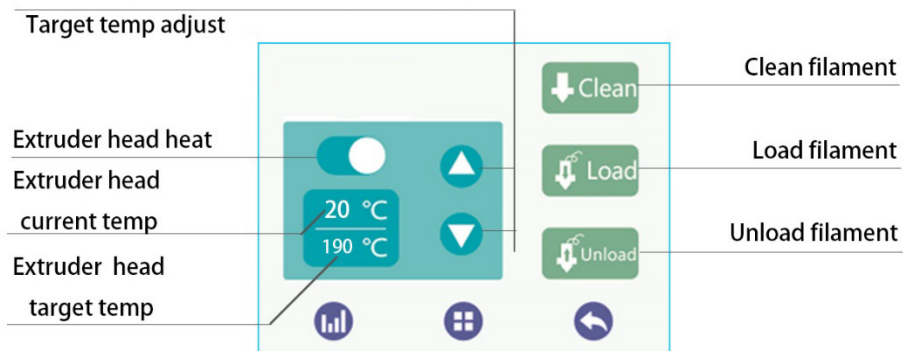


(Picture 7-11)

First, you need to select the type of auto leveling, 3D Touch or CAS. Click the bottom icon to select and then click the upper switch to turn on the auto leveling function. If you choose “**3D Touch**”, click “**Push-pin up/Push-pin down**” and “**Alarm Release**” to test whether the 3D Touch function is normal before leveling.

And click the “**Measure**” icon, when the extruder head has moved to the center measure position, click “**Offset Interval**” to select the appropriate offset accuracy, and adjust the difference of height to set a available range between the bottom of 3D Touch pin and nozzle. And then click “**Save**”, the parameter of auto leveling is finished.

5) Click “**Filament**” to its interface. See picture (7-12).

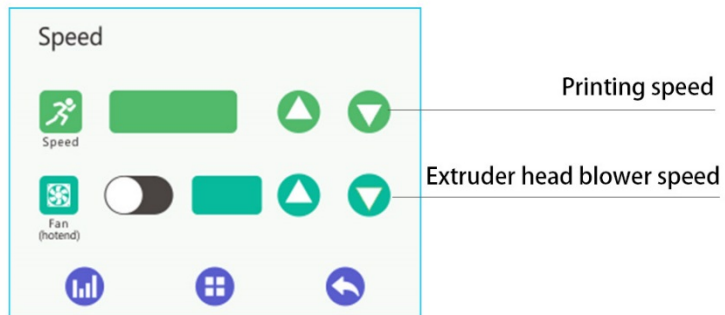


(Picture 7-12)

Clean filament:

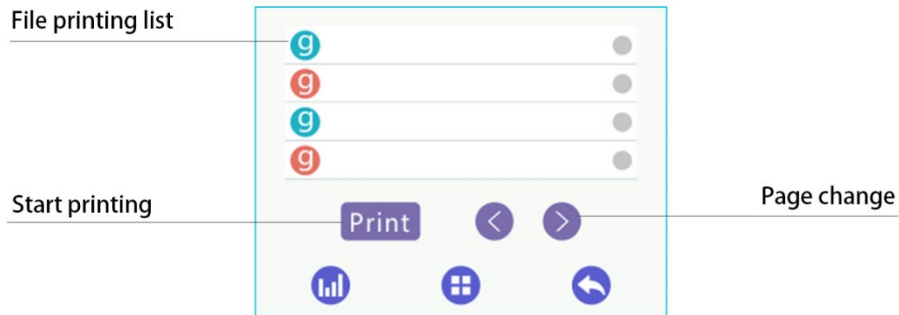
Please keep clean to extruder head in order to have long printing time. Avoid plugging, we suggest keep clean on a regular basis.

6) Click **“Speed”** to its interface. See picture (7-13).



(Picture 7-13)

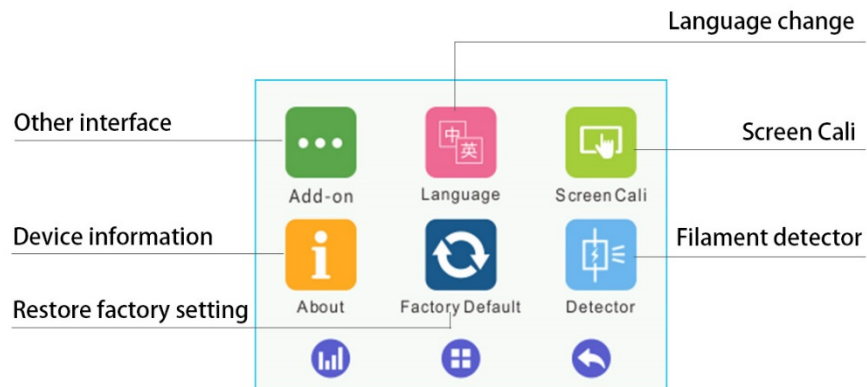
7.2.4 Interface of printing list:



(Picture 7-14)

Please choose the model file at printing file list, and click **“Print”** and then start printing.

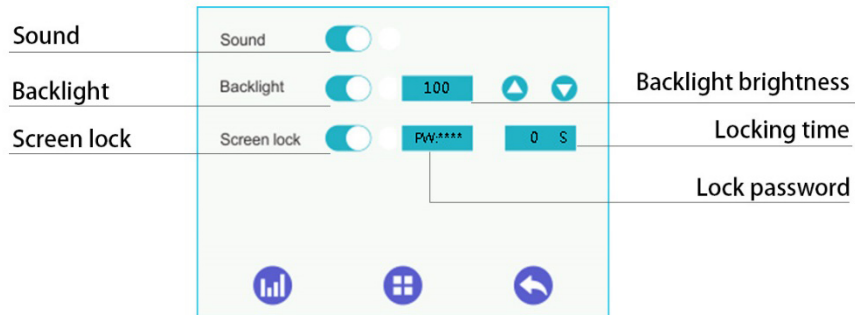
7.2.5 Interface of setting:



(Picture 7-15)

Six submenus at setting interface

- 1) Click **“Add-on”** to enter its interface. See picture (7-16).



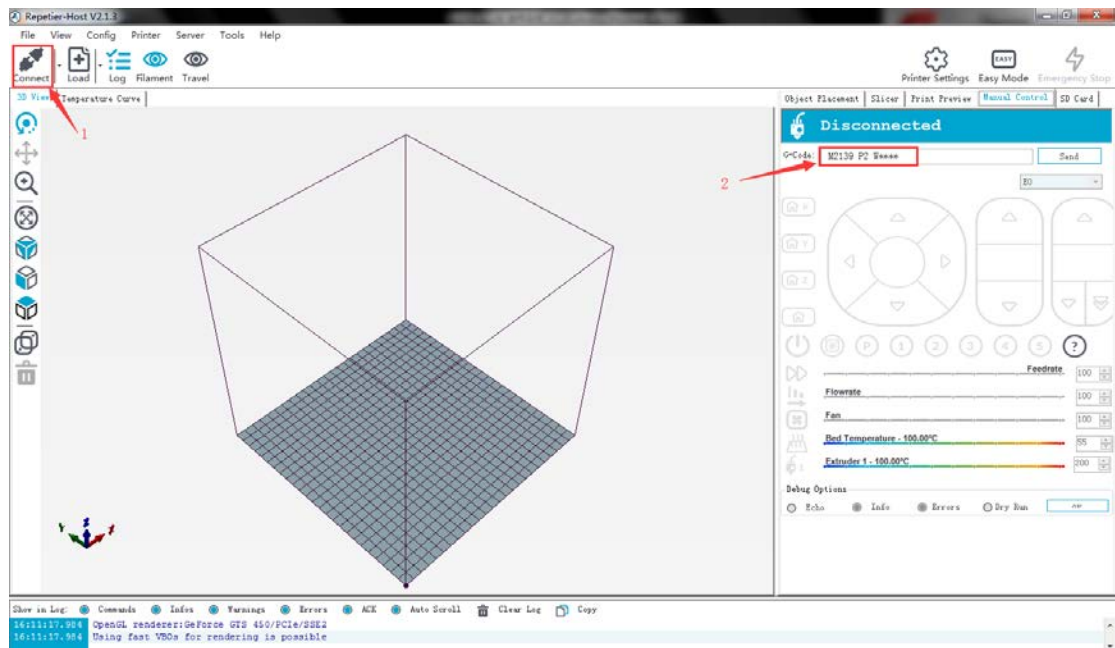
(Picture 7-16)

After the screen lock button is turned on, the machine screen will enter the lock screen of Picture (7-17) after the set lock time to prevent others from operating the machine by mistake. The factory default is off, and the initial password is: "0000".



(Picture 7-17)

After resetting the password, if you forget the password, you can connect the machine to the computer and modify it with the PC software. As shown in Picture (7-18), after the machine is connected to the computer, enter "M2139 P2 W *" in the G-Code command input box of the manual control page on the right side of the software. **(Note: **** in this command is the reset 4-digit password)**



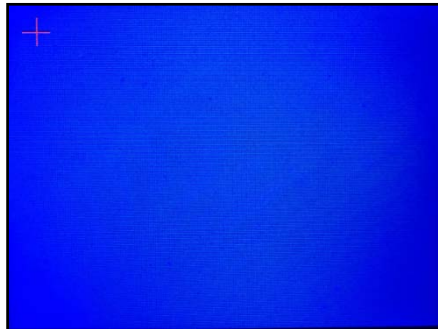
(Picture 7-18)

- 2) Click **“Language”** to its interface. See picture (7-19).



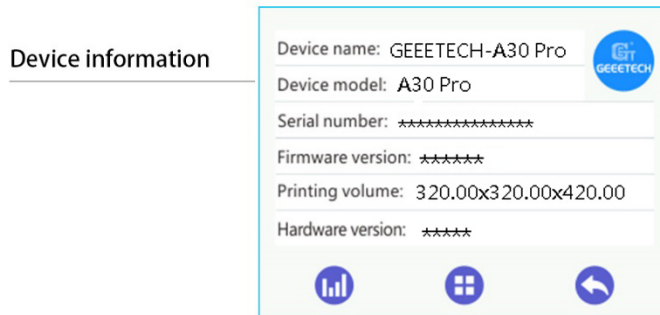
(Picture 7-19)

- 3) Click **“Screen Cali”** to its interface. See picture. (7-20).



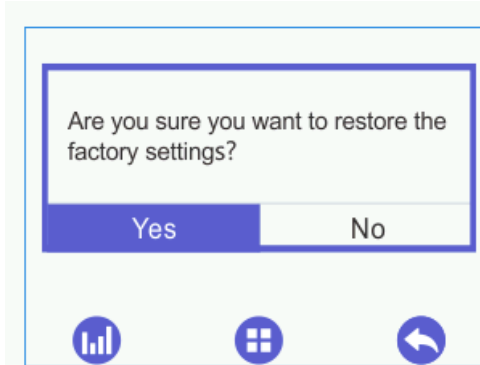
(Picture 7-20)

- 4) Click **“About”** to the device information. See picture (7-21).



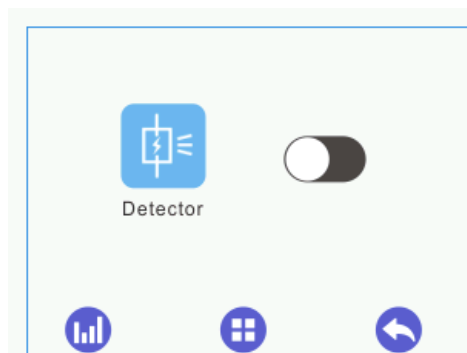
(Picture 7-21)

- 5) If you click **“Yes”**, it will restore factory settings. See picture (7-22).



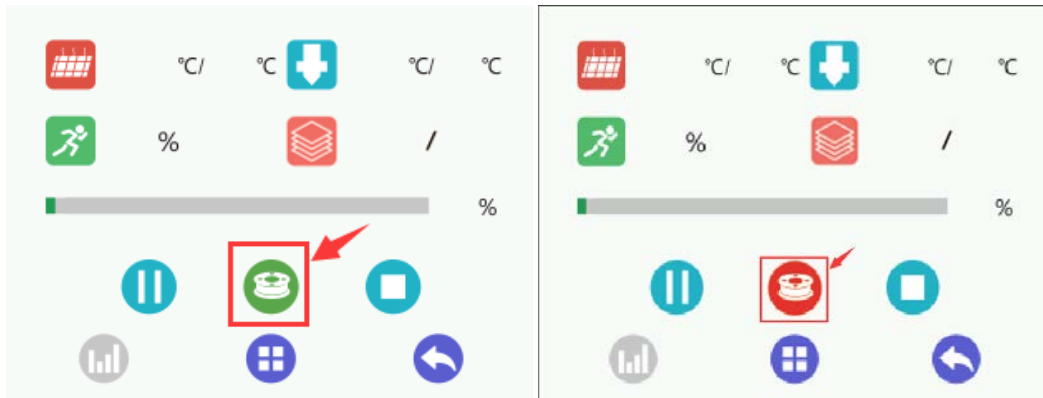
(Picture 7-22)

- 6) Click **“Detector”** to its interface. See picture (7-23).



(Picture 7-23)

There is no display at printing interface if no opening. Only printing interface opens, it shows filament. When the picture is green, it can test filament. When the picture is red, it cannot test filament. See picture (7-24), (7-25).



(Picture 7-24)

(Picture 7-25)

8 Software setting

8.1 Install USB drivers

Two printing choices of A30 Pro: TF card printing and USB printing.

TF card printing:

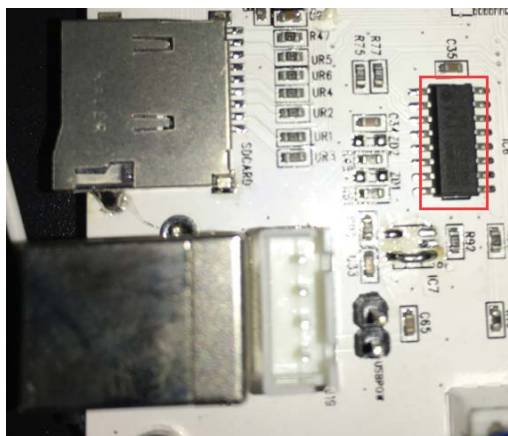
Insert TF card into the slot after leveling, and choose a .gcode file to start printing. No USB driver is required.

USB printing:

Connect the printer and computer with a USB cable to control printer with slicing software such as Repetier-Host. Because of some unstable factors such as signal interference, the USB printing prone to fail. So we suggest choosing TF card printing.

Details of USB printing are as follows:

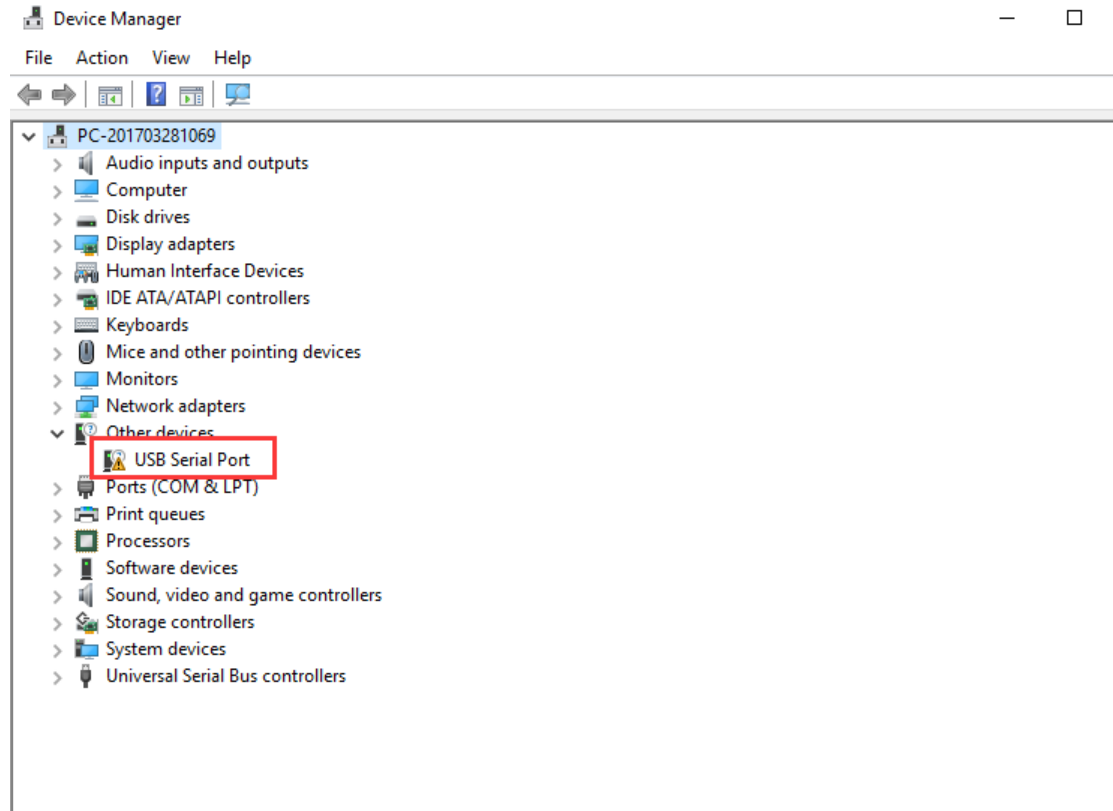
Firstly, turn on the printer, and connect the printer to computer with a USB cable. Normally, the computer will automatically search the install drive. The newest communication chip of A30 Pro is CH340. See picture (8-1).



(Picture 8-1)

Check whether the driver is automatically installed successfully or not. Click to choose “**My computer>Property>Device manager**”.

If it shows the exclamation mark as picture below (8-2), then you need manually install the driver.

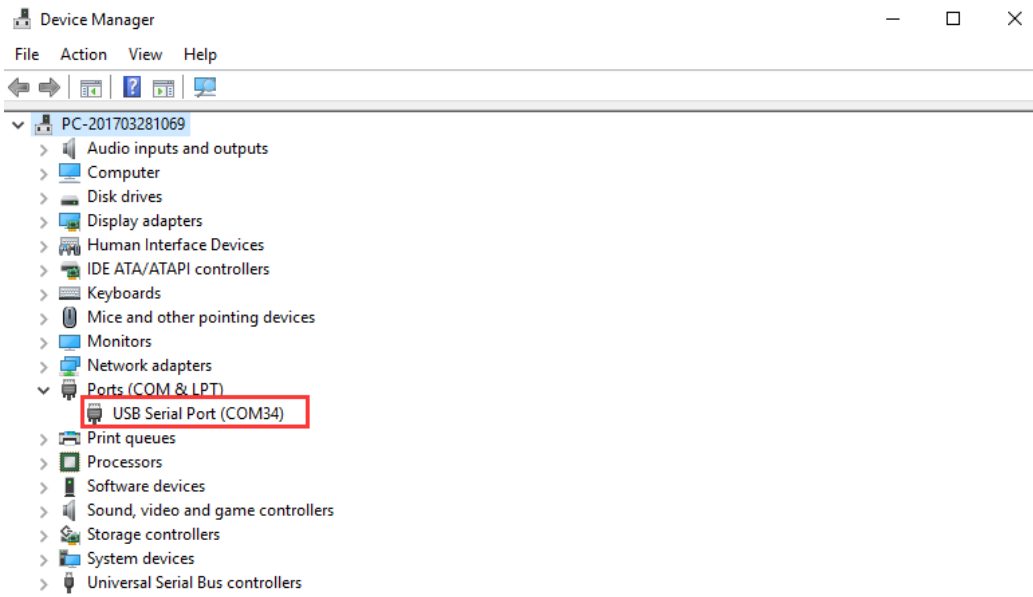


(Picture 8-2)

Download link for CH340:

https://www.geeetech.com/index.php?main_page=download&download_id=40

After the driver is installed, check the “Device manager” and see if it is same as the picture below (8-3). If so, it means the driver is successfully installed.



(Picture 8-3)

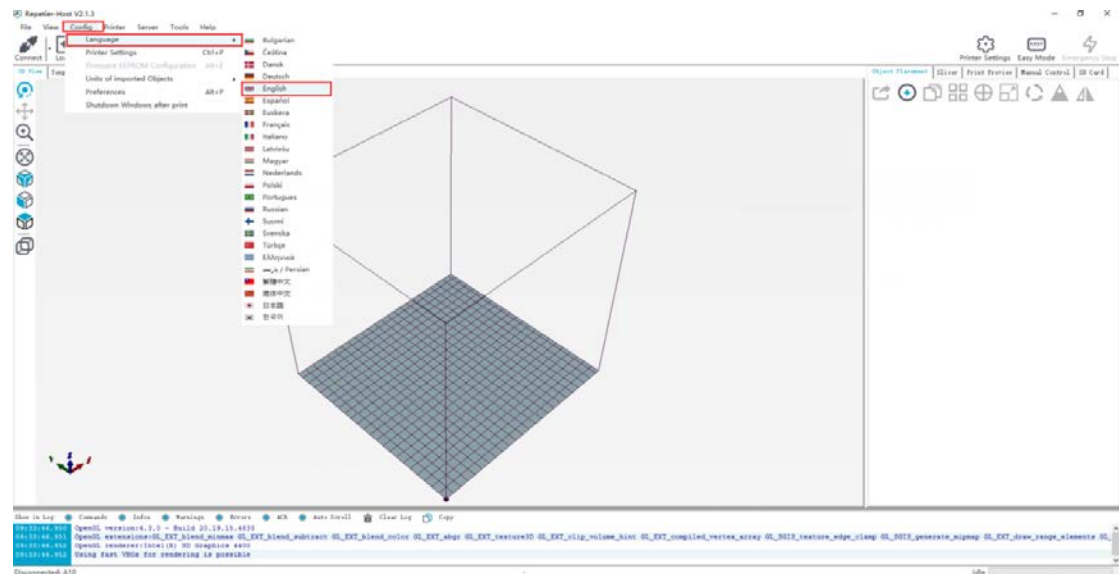
8.2 Install slicing software

Repetier-Host is the default slicing software here. Download address:

<https://www.repetier.com/download-software/>

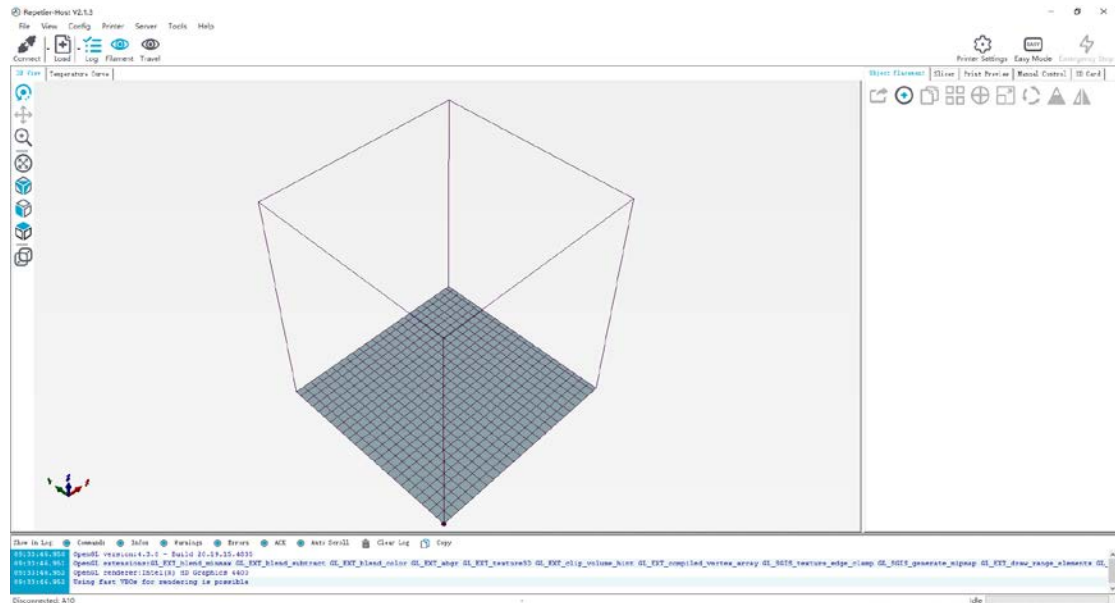
1) Set printer parameter

When Repetier-Host is installed, turn on the printer and open the Repetier-Host. Repetier-Host supports several languages. You can choose your native language from **Config>Language** (Picture 8-4 for details).



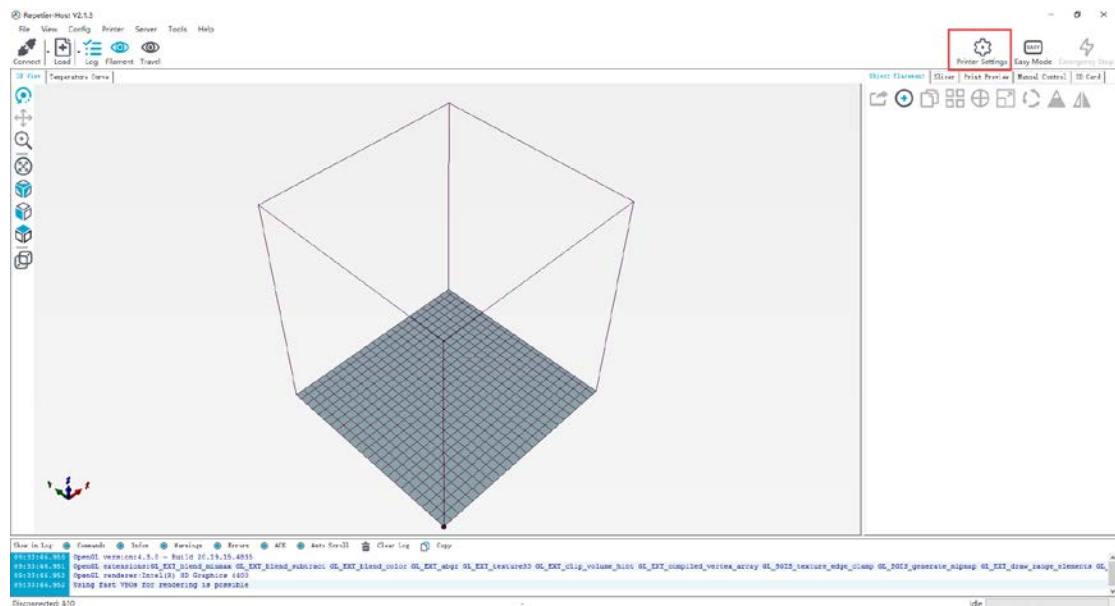
(Picture 8-4)

English interface as picture (8-5):



(Picture 8-5)

Using the Repetier-Host for the first time, printer parameters need to be configured before connecting. Click **“Printer settings”** on the top right corner, see picture (8-6).

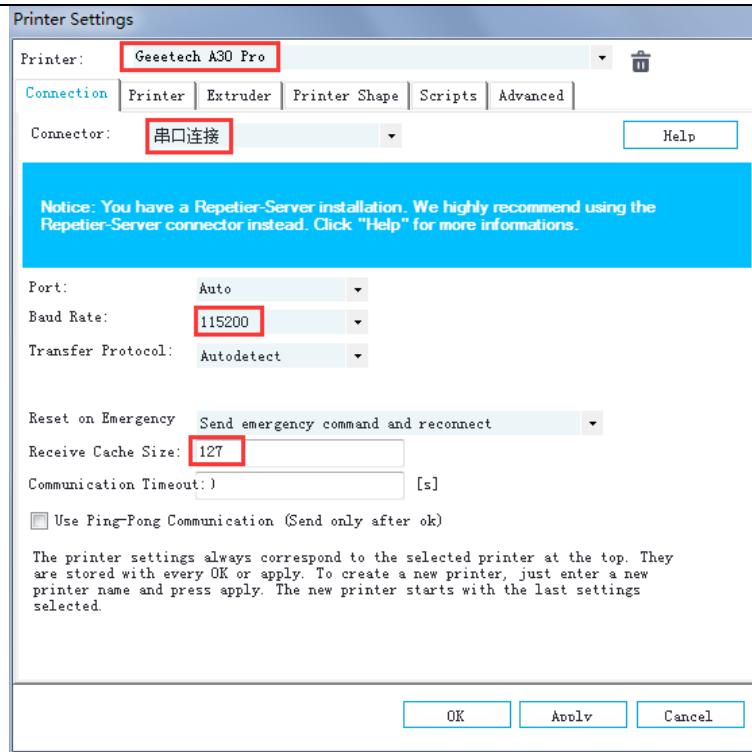


(Picture 8-6)

It pops up the content as the picture below (8-7). Write down the relevant info accordingly.

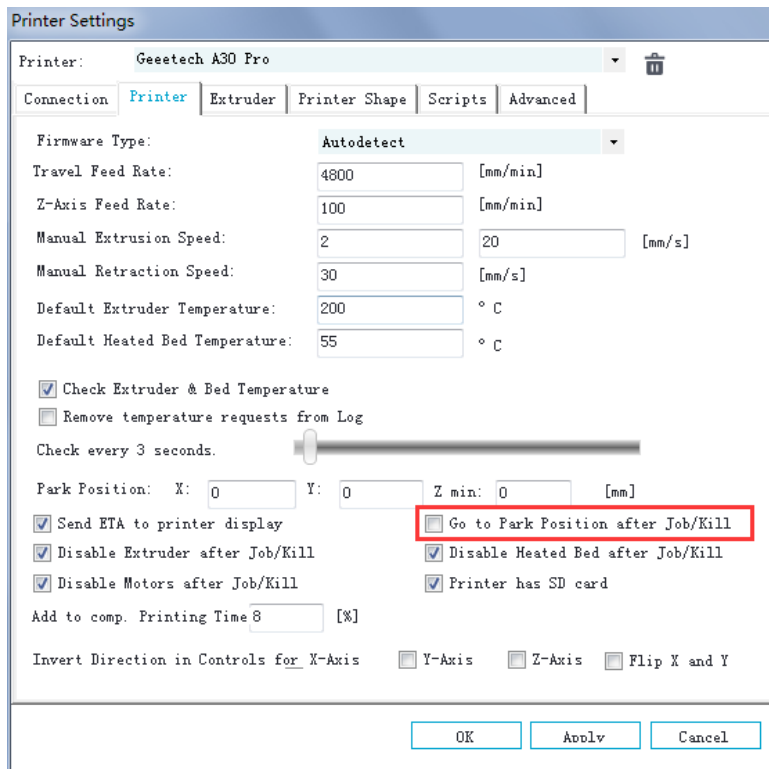
(Pay attention to the highlighted parts).

a. Connection dialog: see picture (8-7)



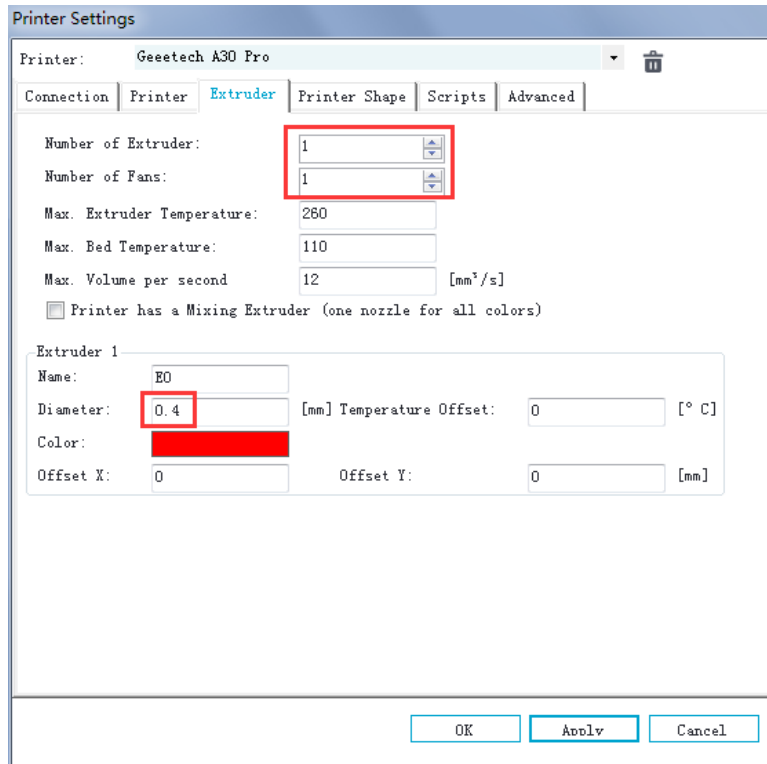
(Picture 8-7)

b. Printer dialog(Picture 8-8)



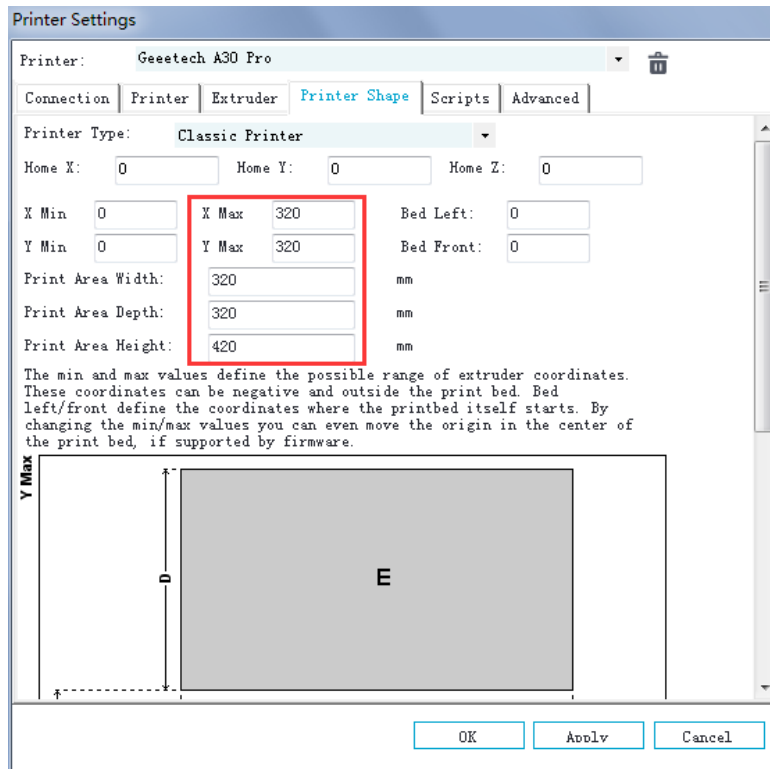
(Picture 8-8)

c. Extruder dialog(Picture 8-9)



(Picture 8-9)

d. Printer shape dialog(Picture 8-10)



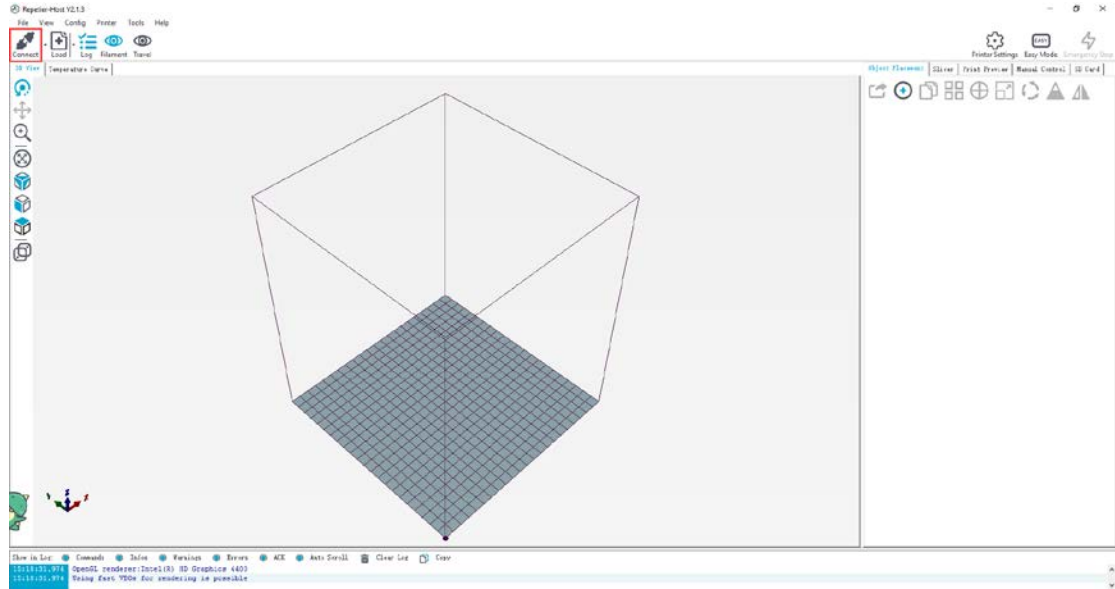
(Picture 8-10)

Now the printer parameters are set.

Note: The baud rate is still 115200, Mac OS, Repetier Host are the same.

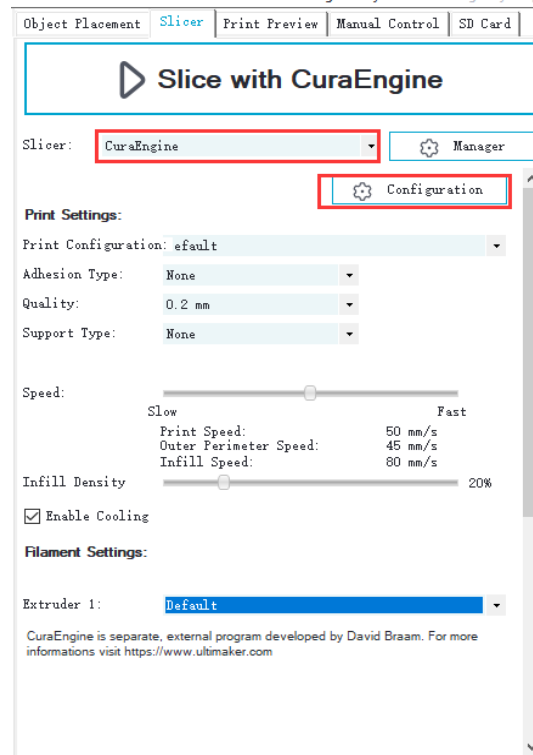
2) Setting slicing parameter

After setting the printer parameters, click **“Connect”** on the top left corner. The color of the icon changed to green means the printer connects to the Repetier-Host successfully. Click it again to **“Disconnect”**. See picture (8-11).



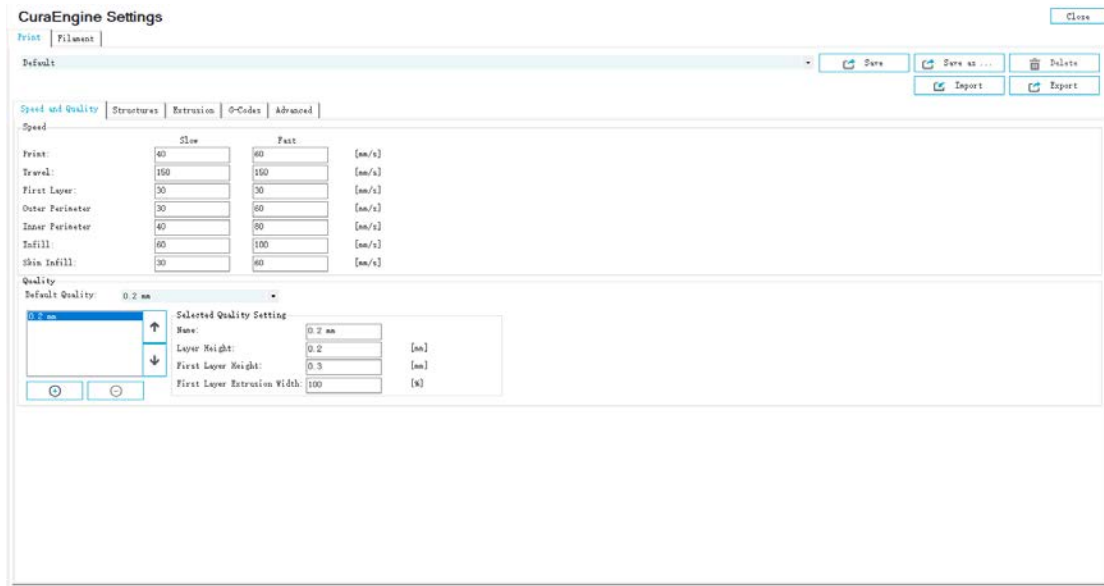
(Picture 8-11)

After successfully connected, choose **“Slicer> CuraEngine”** and open the configuration menu. See picture (8-12).



(Picture 8-12)

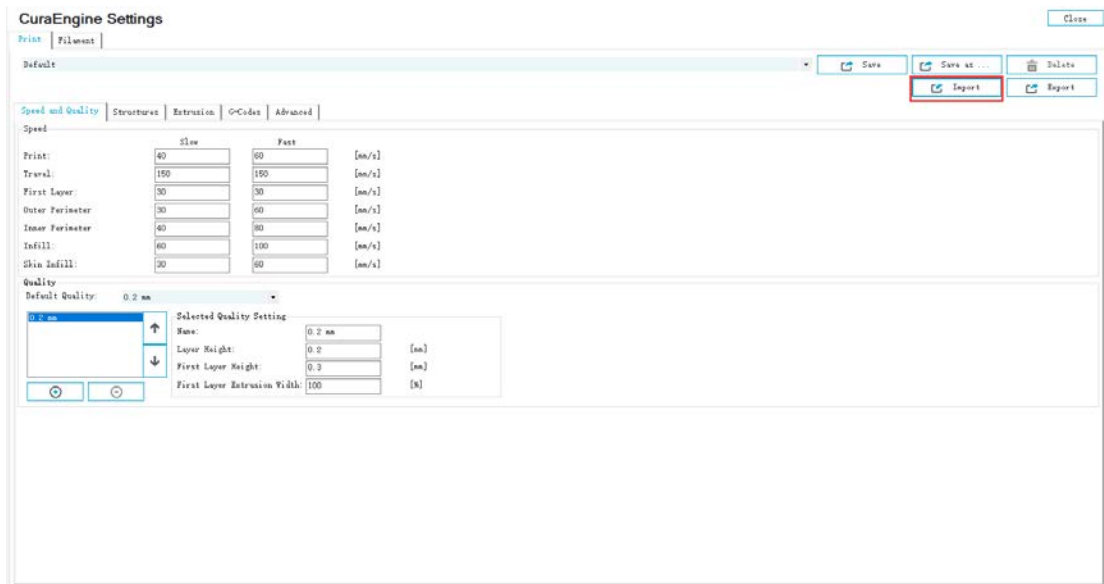
It pops up dialog as picture below (8-13):



(Picture 8-13)

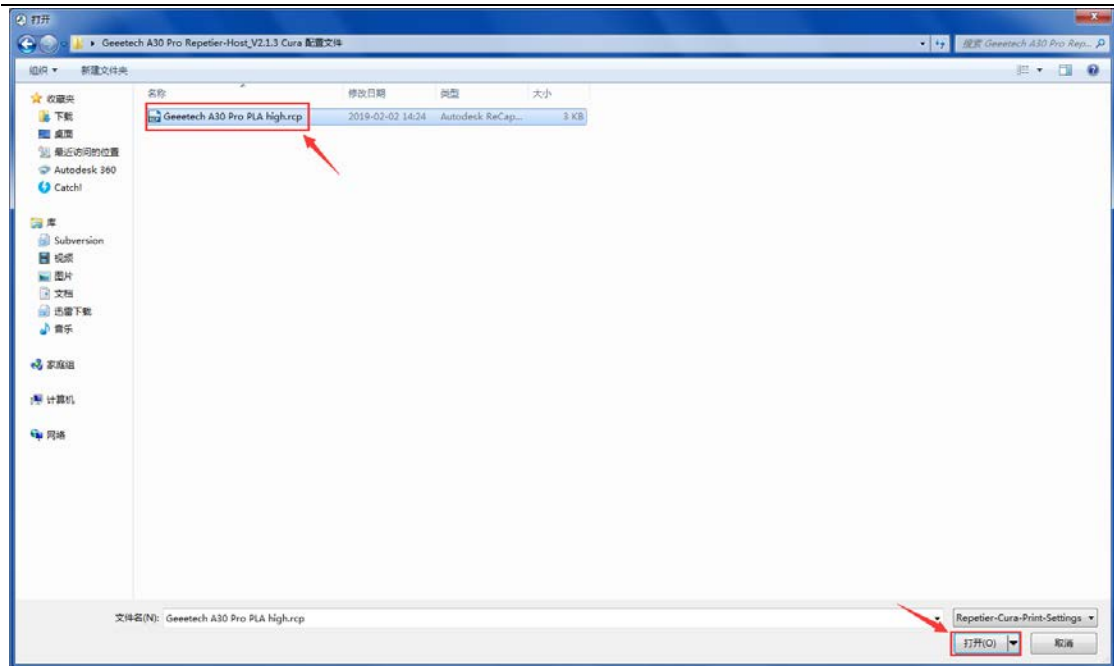
Printer parameters are important to print quality. Customers need to run tests to find the best parameters for their printers. Here we provide a configuration file for your reference (“**Geetech A30 Pro PLA high.rcp**”). You can import it according to the steps as follows. The following is an example of parameters for PLA (Picture 8-14):

Click “**Print>Import**”



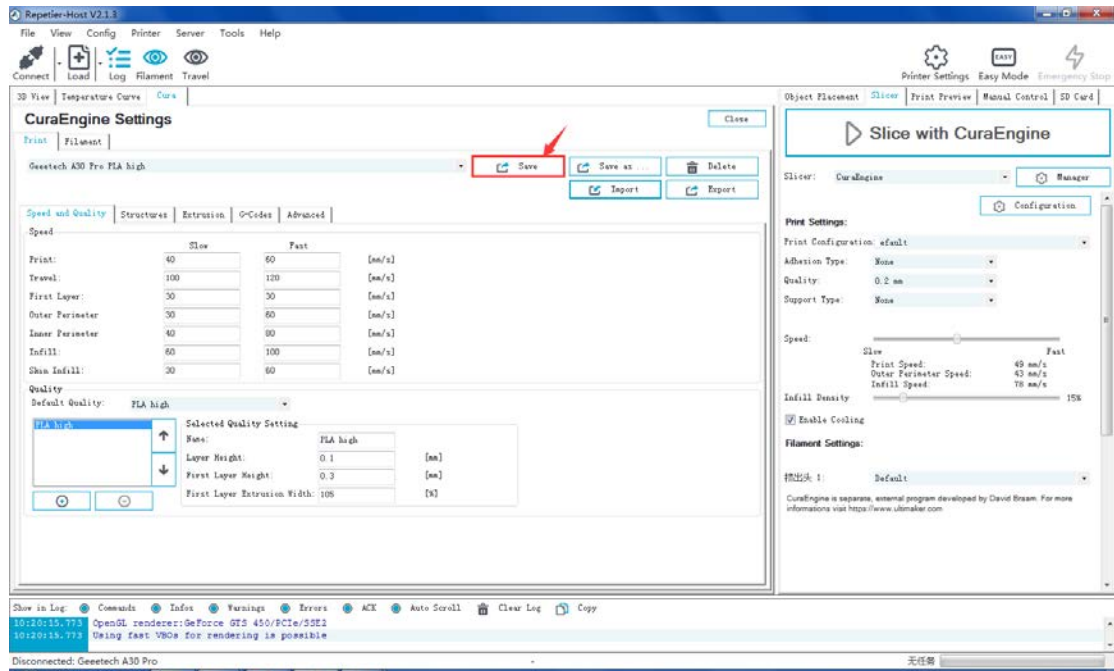
(Picture 8-14)

It pops up the dialog as below. See picture (8-15). Choose “**Geetech A30 Pro PLA high.rcp**” and open it.



(Picture 8-15)

Now, the configuration file is imported, click “Save”. See picture (8-16).



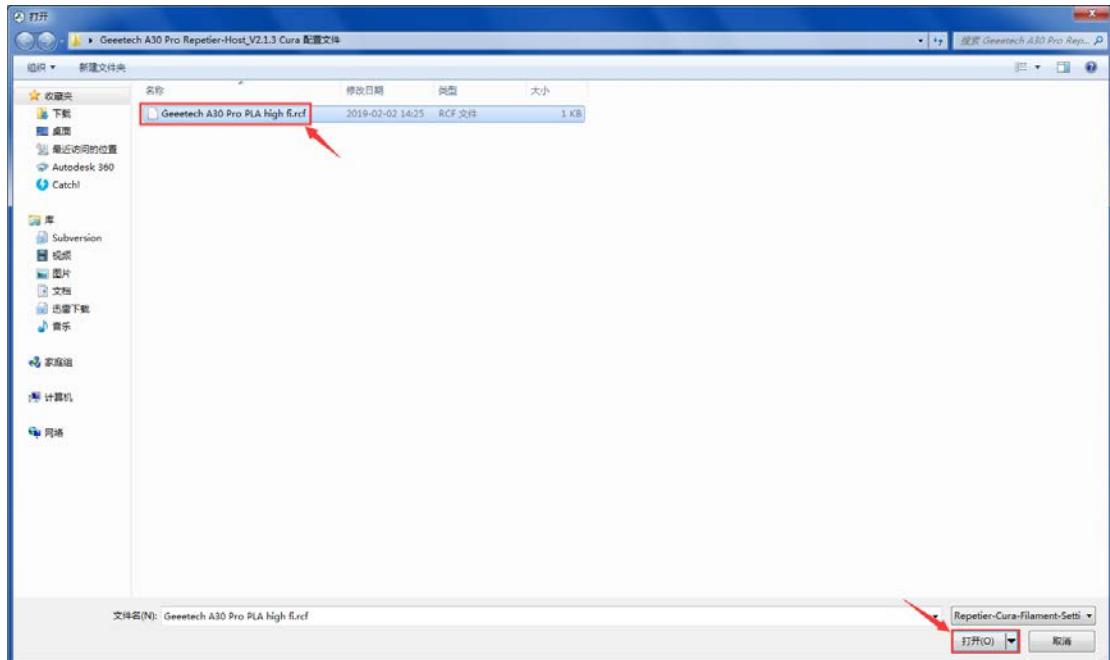
(Picture 8-16)

Click “Filament”>“Import”. See picture (8-17).



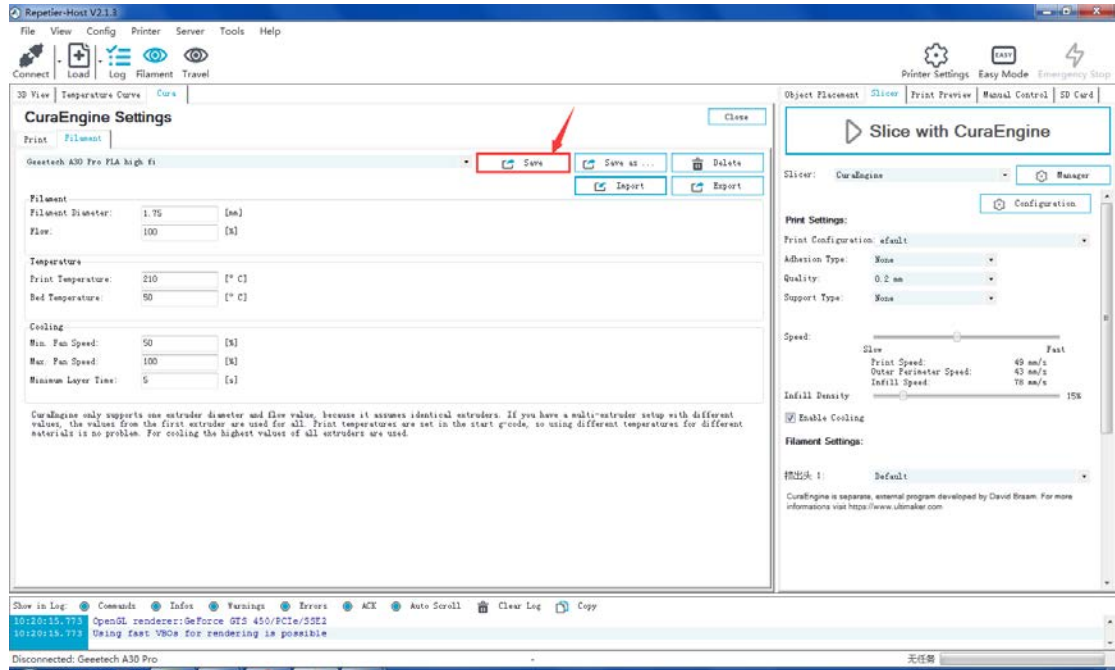
(Picture 8-17)

It pops up dialog as below (Picture 8-18); choose **“Geetech A30 Pro PLA high fi.rcf”** and open it.



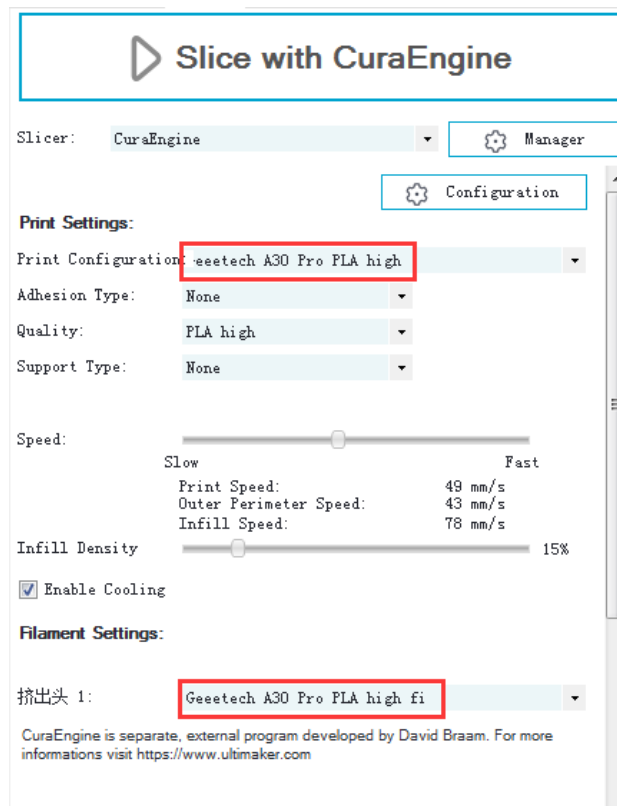
(Picture 8-18)

Now, the configuration file is imported. Click **“Save”**. See picture (8-19).



(Picture 8-19)

Choose “Geeetech A30 Pro PLA high “as print configuration and “Geeetech A30 Pro PLA high fi” as printing material setting. Details see picture (8-20) below.



(Picture 8-20)

Now parameters setting are finished.

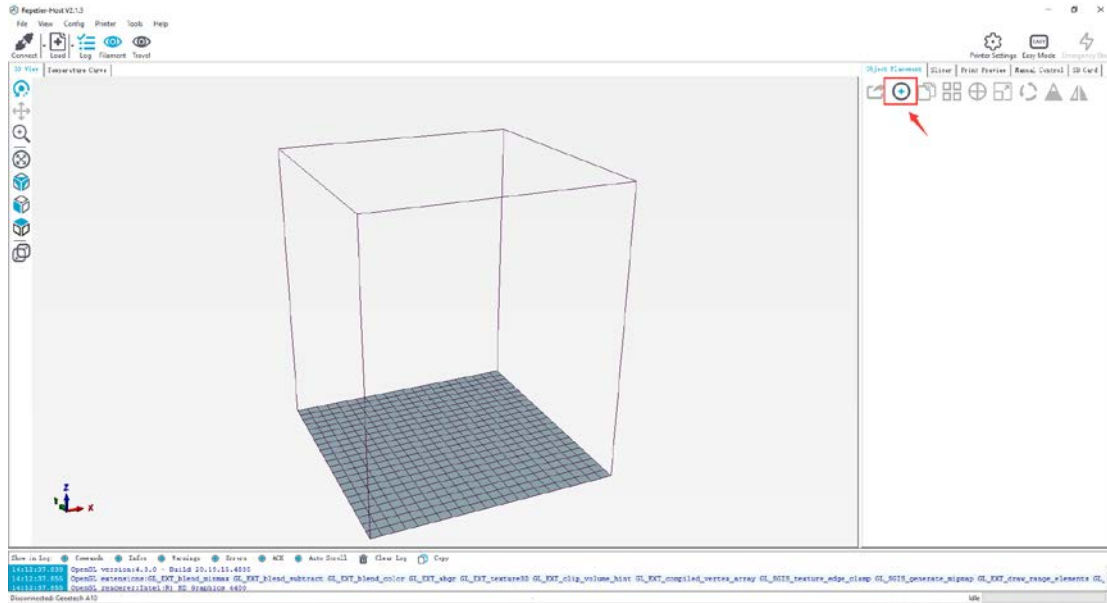
8.3 USB printing

You can start USB printing when the parameters setting finished.

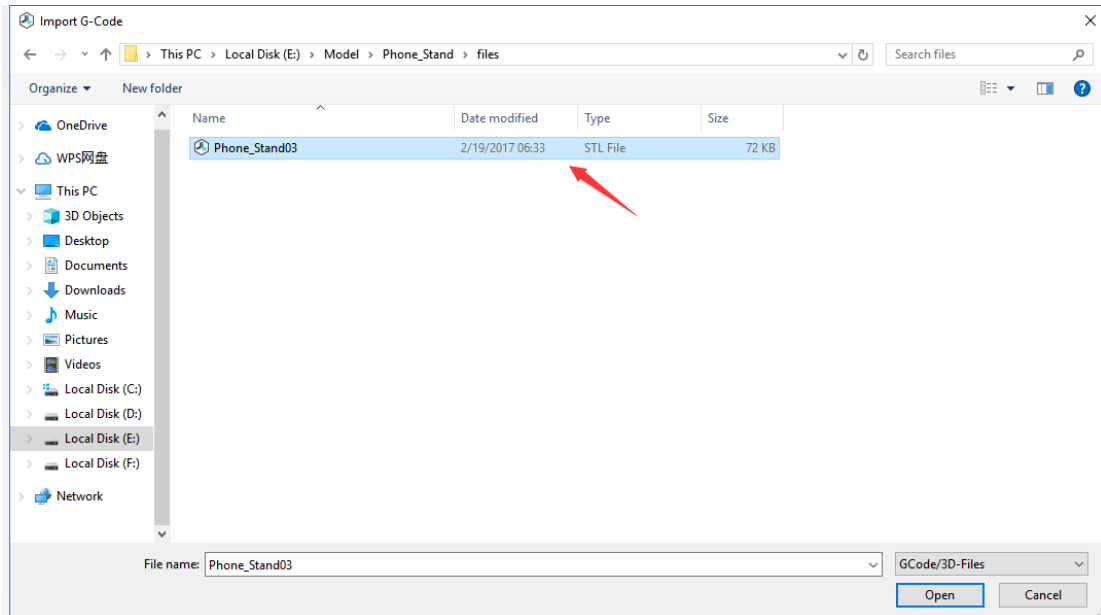
The model file format is .stl for 3D printer. You can download free models from websites such as [thingiverse](http://thingiverse.com). You can also design your own models.

1) Load the printing model

Open the Repetier-Host and click **“load”**. Choose a file and open it. See picture (8-21).

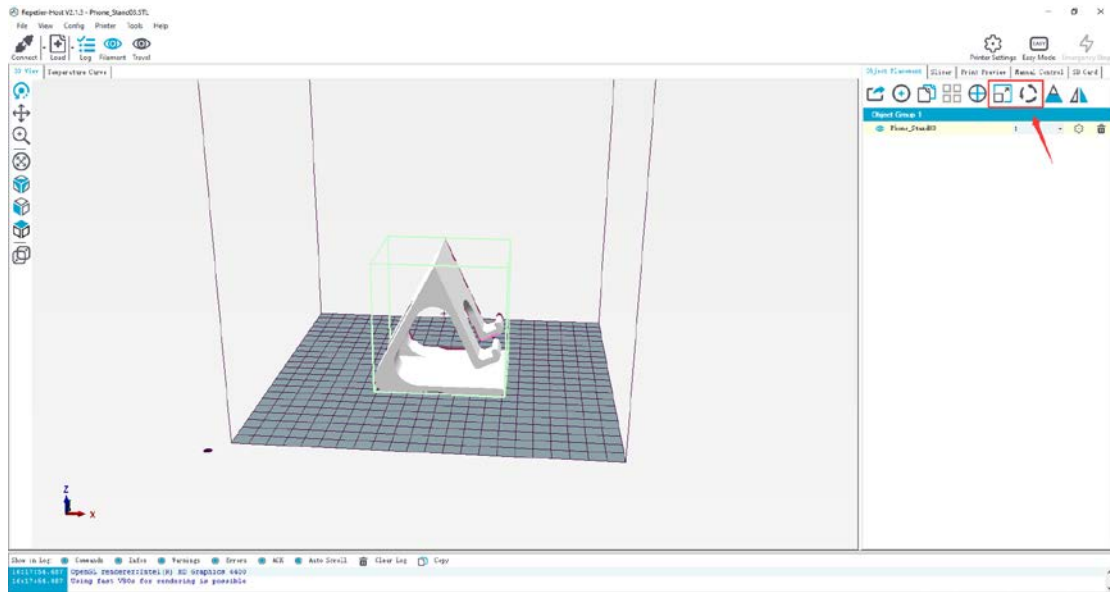


(Picture 8-21)



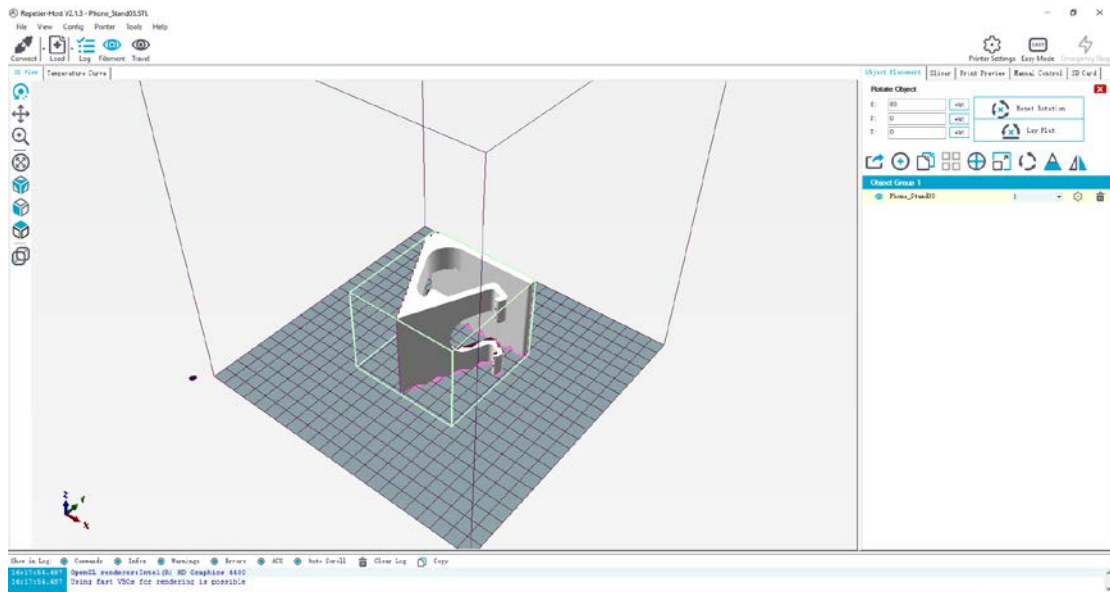
(Picture 8-22)

When dichromatic model is loaded, you can use the buttons as picture below (picture 8-23) to zoom in, zoom out or rotate the model. See picture (8-23).



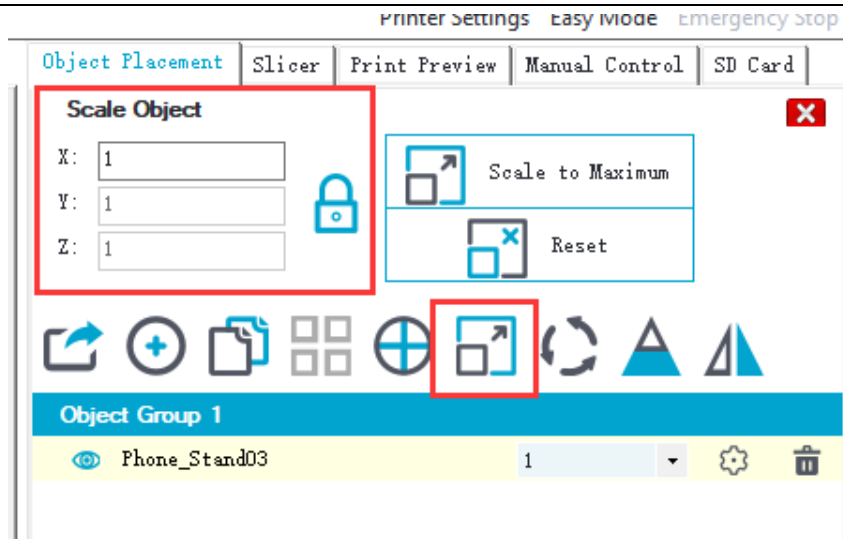
(Picture 8-23)

Adjust the orientation of the model and try to make the flat part of the model touch the hot bed for printing, .See picture (8-24).



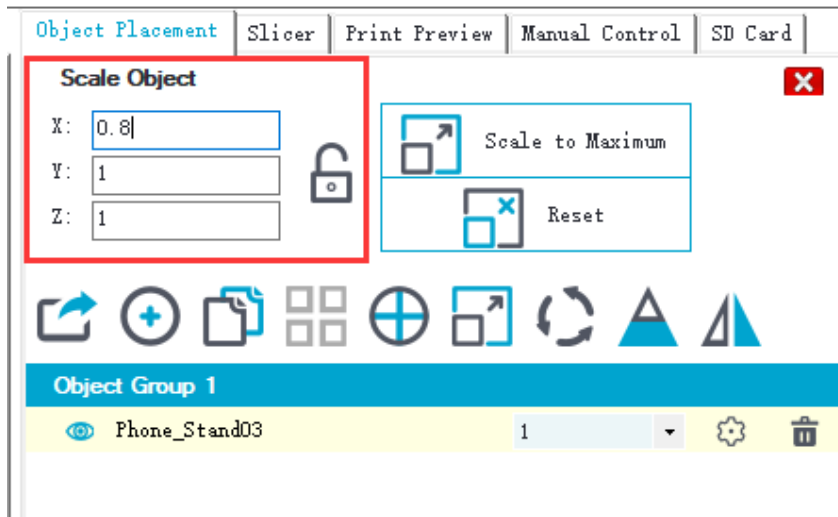
(Picture 8-24)

Note: If the model loaded is too big and beyond the printing platform, you need to zoom out the model. You can choose the X/Y/Z together, see picture (8-25).



(Picture 8-25)

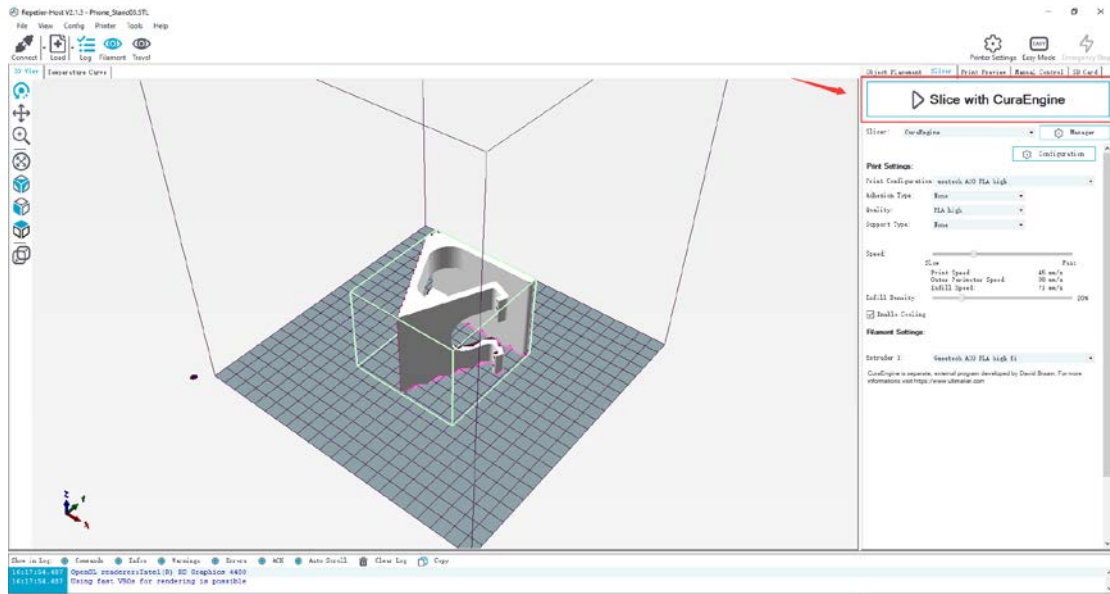
Or zoom in/out them separately, see picture (8-26).



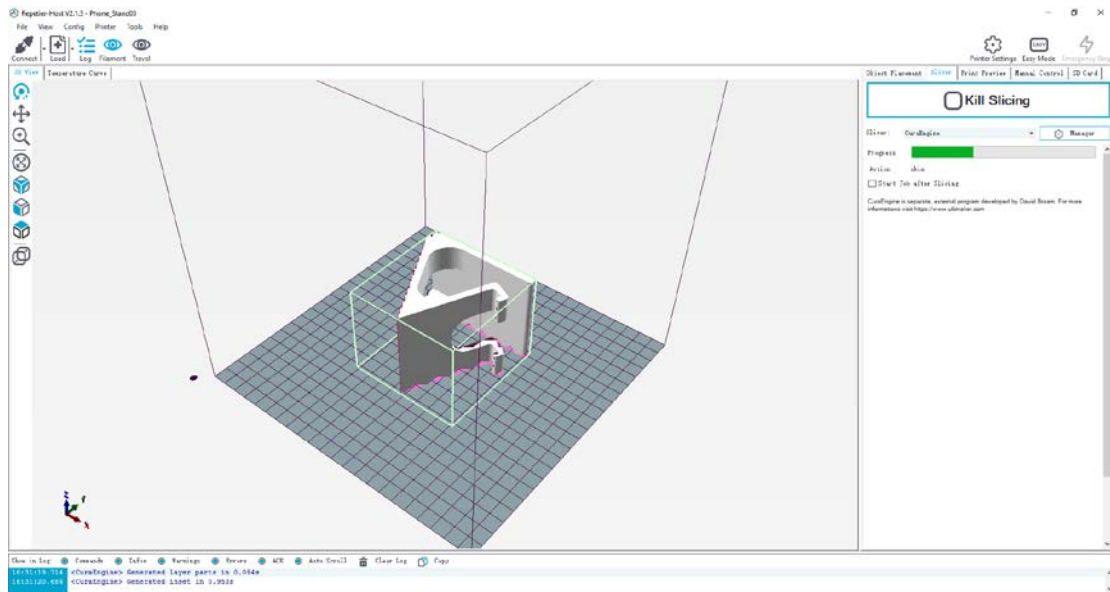
(Picture 8-26)

2) Model slicing

When the size and direction are set, choose the imported slicing parameter, and click “Cura Engine”. See picture (8-27).

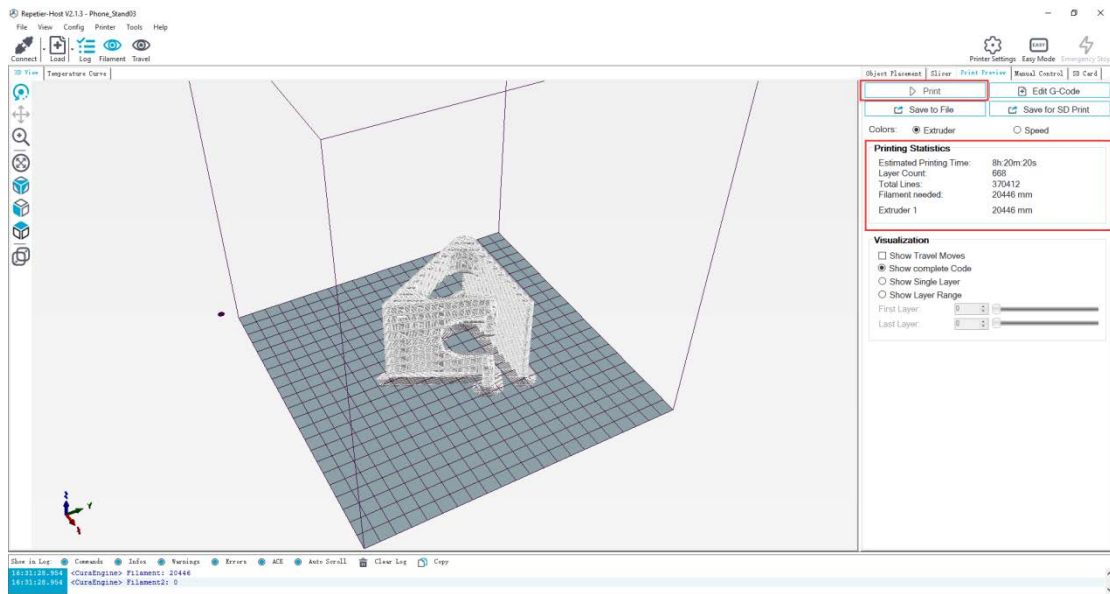


(Picture 8-27)



(Picture 8-28)

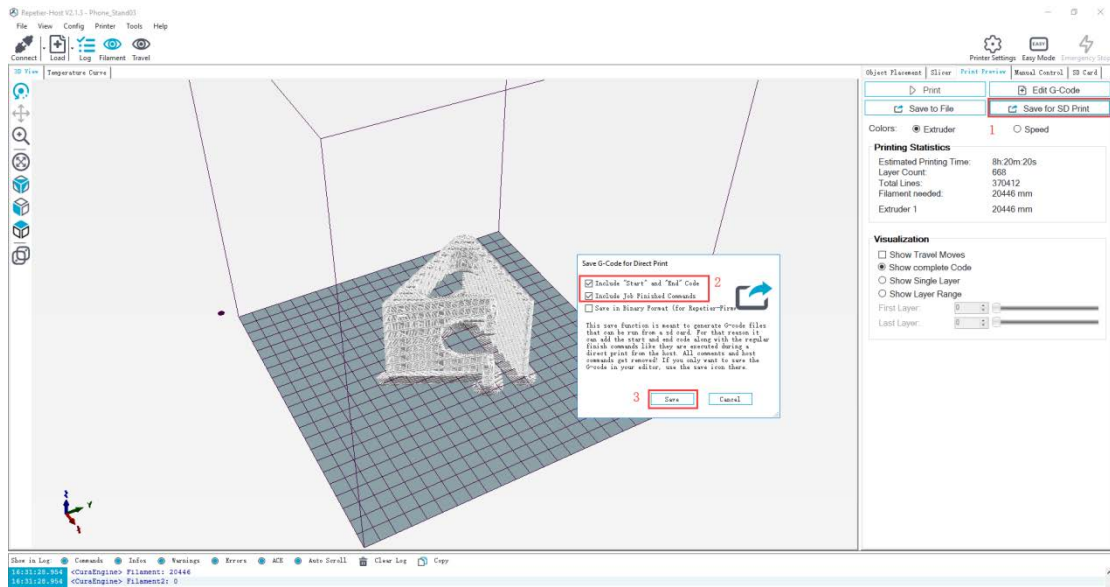
You can find the model information such as estimated time, the amount of filament needed, etc. Click **“Print”** to start USB printing. The printer will heat to the target temp and then start printing. Under high temperature, the filament will flow out of the nozzle, which is normal. You can use tweezers to clean up the residual material of the nozzle.



(Picture 8-29)

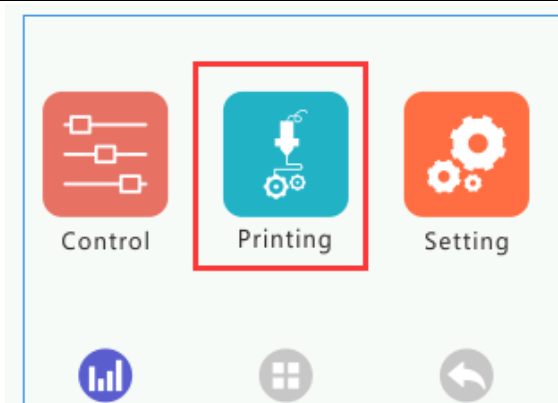
8.4TF card printing

When all parameters are set, click **“Save for SD print”**. It will pop up a dialog as picture below (See picture 8-30) and then click the save button to generate a .gcode file. Copy the gcode file to the TF card.



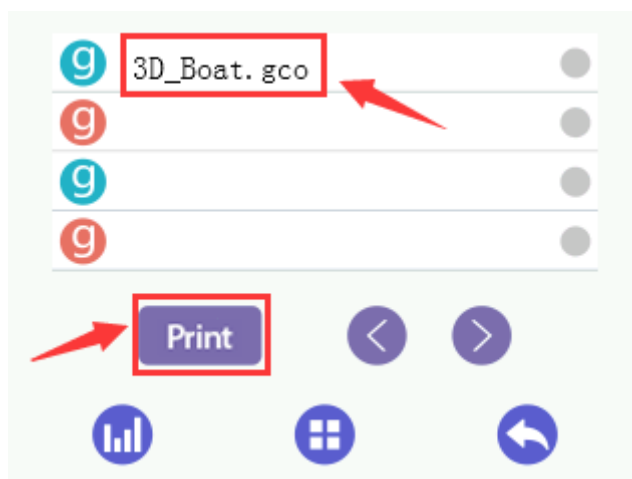
(Picture 8-30)

Insert the TF card into the slot which is on the left side of the machine. Press the knob to enter the main menu and choose **“Printing”**.



(Picture 8-31)

Choose the corresponding gcode file to start printing. Click **“Printing”** and it will start printing. See picture (8-32).



(Picture 8-32)

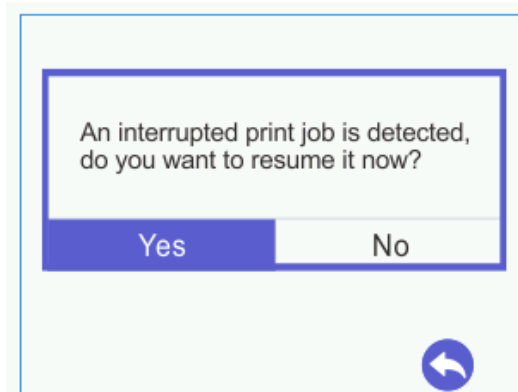
Note:

The printer can only read gcode file and the file name should be English letters, a space, an underscore or their combination.

9Function introduction

9.1Power -resuming capability

A30 Pro has the power loss-resuming capability. When power recovery starts, it will pop up a dialog to ask if continuing the unfinished print caused by power outage, choose “Yes “and it will resume printing. See picture (9-1).



(Picture 9-1)

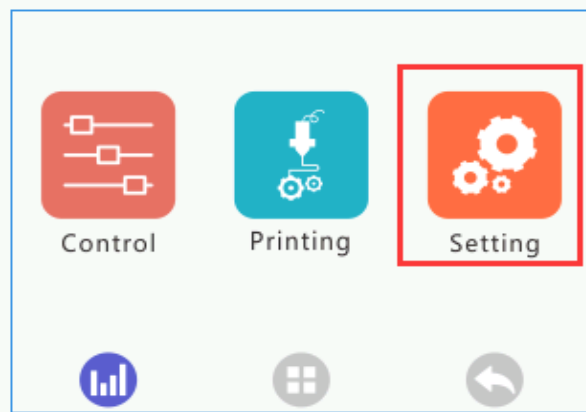
When it reaches the target temperature, the X and Y axes will auto home. The extruder will extrude the residue in the nozzle. Use a tweezers to clean the nozzle before starting printing again.

Note:

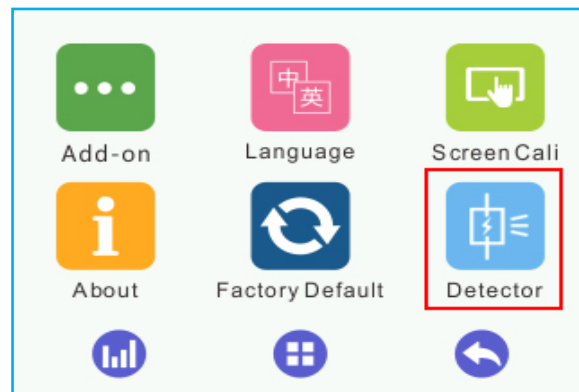
- 1) **When power outage, move the nozzle away from the printing model in case the filament oozes out on to the print.**
- 2) **Be sure to clean the residue in the nozzle before restarting the print or it would affect the quality of the print.**

9.2 Filament run-out sensor (optical)

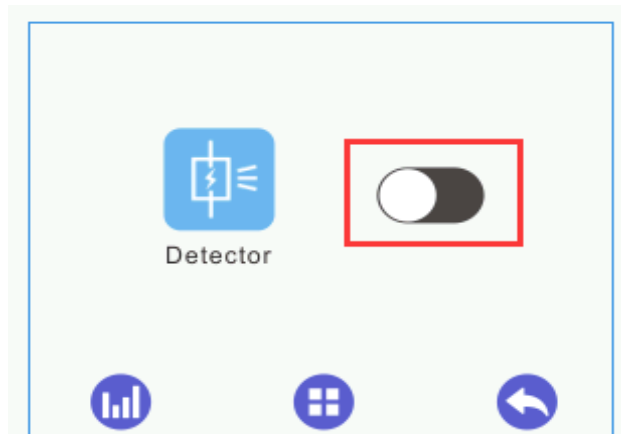
Before using this function, first, you need to install the filament run-out sensor module on the machine and wire it. Please check filament whether it is turned on or not. Choose “**Setting**”> “**Filament**”> “**Detector**”. See pictures (9-2, 9-3,9-4).



(Picture 9-2)

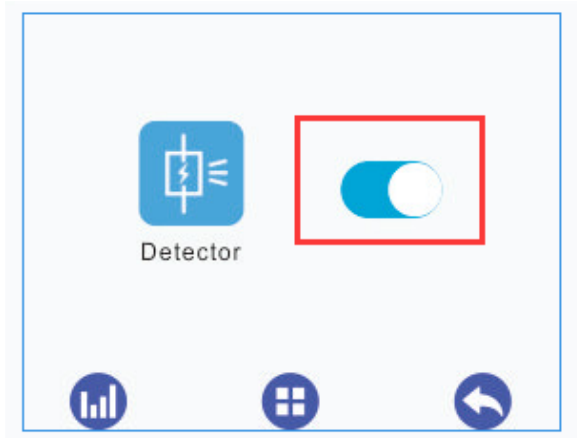


(Picture 9-3)



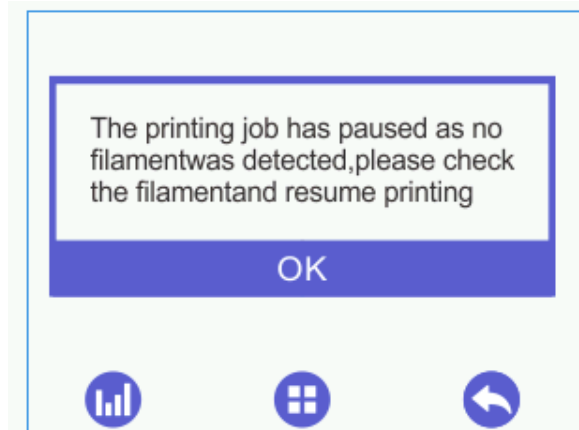
(Picture 9-4)

Be sure it shows "ON". See picture (9-5).



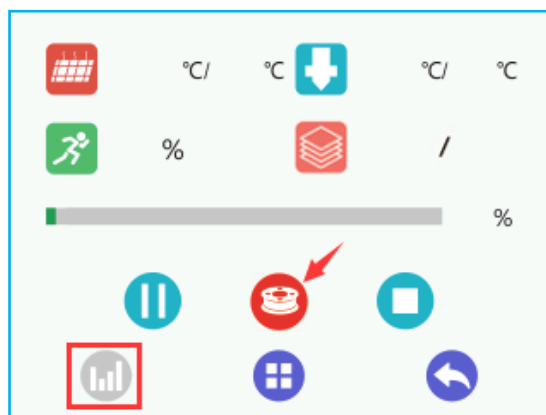
(Picture 9-5)

- 1) It will pop up the notification **"Err: No Filament"** when the filament is run out during printing and the printer will stop. See picture (9-6).



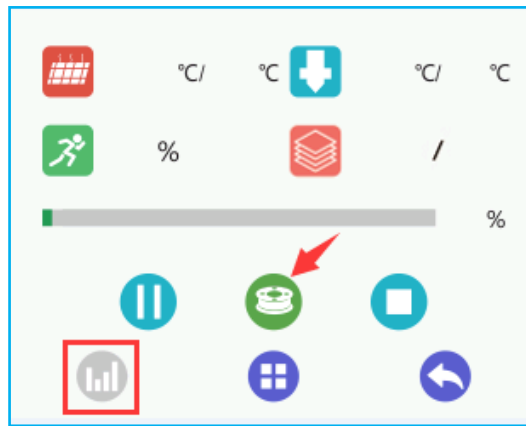
(Picture 9-6)

And at picture (9-7), if the **"Filament"** shows red, which indicates **"No Filament"**.



(Picture 9-7)

- 2) Press the extruder handle, remove the remaining filament before loading the new filament.
- 3) When the filament is loaded, please use a tweezers to clean the nozzle. Click on the button in the lower left corner of Picture (9-8) and then it will enter printing information interface. If the **"Filament"** shows green which indicates resuming printing. You can click the left button to start printing.



(Picture 9-8)

9.33D Touch for auto bed leveling (Optical)

This printer supports auto bed leveling. Refer to the link below to know how to install the 3d touch sensor.

Youtube:

<https://www.youtube.com/watch?v=RtsZDbR2po&t=66s>

Visit our official forum:

<http://www.geeetech.com/forum/>

10 FAQ(Frequently Asked Questions)

10.1 Abnormal extrusion

- 1) The filament is tangled. The nozzle temp is too low to reach the melting temperature required.
- 2) There is carbonized residue inside the nozzle.
- 3) Please replace it with the spare nozzle. Insufficient heat dissipation of radiator of the extruder head causes the filament in the tube to melt in advance and the extrusion strength is insufficient. Please check whether the cooling fan works normally.
- 4) The slicing speed is so fast that the nozzle speeding can't match it. Please reduce the printing speed.
- 5) Be sure the smooth in extruder inside after long-time printing. Please keep clean on a regular basis avoiding plugging.

10.2 The gear of the extruder skips and makes an abnormal noise

- 1) The nozzle is clogged; please refer to **10.1 abnormal extrusion**.
- 2) Check whether the friction force between the extruder gear and the filament is enough. Please clean the residue.
- 3) Check whether the voltage of the driver (V_{ref}) of the extruder is normal, and try to increase it by 0.1v until it works normally, max 1.2v.

10.3 First layer abnormal

- 1) Non-stick: a. the nozzle is too far from the hot bed. Please re-level the bed, try to stick masking paper or glue stick on the surface of the hot bed.
- 2) Not extruding and the bed scratched: a. the nozzle is too close from the hot bed. Please re-level the bed; b. check if the nozzle extrusion normal.

10.4 Layer shift

- 1) The printing speed is too fast. Please slow it down.
- 2) The belt of X or Y axis is too loose. Please tighten it.
- 3) The X or Y axis synchronization wheel is not fixed firmly. Please adjust the eccentric nuts.
- 4) The voltage of the driver of X/Y axis is too low.

10.5 Print stopped

- 1) USB printing: the signal is interfered. Please copy the model to TF card and print via TF card.
- 2) TF card printing: the gcode file in the TF card is abnormal, please slice again.
- 3) The quality of the TF card is poor. Please try another TF card.
- 4) The power supply voltage in the area is not stable; please print after the voltage is stable.

Visit our official forum for more information

<http://www.geeetech.com/forum/viewtopic?f=98&t=61864>)

11 Declaration

11.1 Terms

Please be advised of the following terms (the “Terms”) regarding this User Manual (this “Manual”):

All information in this Manual is subject to change at any time without notice and is provided for convenience purposes only. Geeetech reserves the right to modify or revise this Manual in its sole discretion and at any time. You agree to be bound by any modifications and/or revisions. Contact the Geeetech Support Team for up-to-date information.

11.2 Disclaimers

Neither Geeetech nor any of our affiliates warrants the accuracy or completeness of the information, products, or services provided by or through this Manual, which are provided “as is” and without any express or implied warranties of any kind, including warranties of merchant ability, fitness for a particular purpose, or non-infringement of intellectual property. To the fullest extent permissible by the applicable law, we hereby disclaim all liability for product defect or failure or for claims that are due to normal wear, product misuse or abuse, product modification, improper product selection, noncompliance with any codes, or misappropriation. To the fullest extent permissible by the applicable law, we hereby disclaim any and all responsibility, risk, liability, and damages arising out of death or personal injury resulting from assembly or operation of our products. Geeetech assumes no responsibility, nor will be liable, for any damages to, or any viruses or malware that may infect your computer, telecommunication equipment, or other property caused by or arising from your downloading of any information or materials related to Geeetech products.

